

F2D シリーズ
SERIES

箔巻きタイプ：小形化品

Foil Winding Type : Miniaturized

◆特長 / FEATURES

- ・小形品。
Small and light.
- ・薄膜均一化外装により自動挿入用に適しています。
Thin coating makes it suitable for automatic insertion.
- ・RoHS指令対応品。
RoHS compliance.

◆規格 / SPECIFICATIONS

カテゴリ温度範囲/Category Temperature Range	-40~+105°C ※
定格電圧/Rated Voltage (U _R)	50Vdc, 100Vdc, 200Vdc
静電容量許容差/Capacitance Tolerance	±5%(J), ±10%(K)
誘電正接/tanδ	0.01max at 1kHz
耐電圧/Voltage Proof	U _R ×200% 60s
絶縁抵抗/Insulation Resistance	30000MΩmin
準拠規格/Reference Standard	JIS C 5101-11, JIS C 5101-1

※85°Cを超える範囲では、使用上の注意事項に示す電圧軽減を行ってください。
Derate the voltage as shown in the "CAUTION FOR PROPER USE OF FILM CAPACITORS" when using the capacitor beyond 85°C.

◆呼称方法 / PART NUMBER



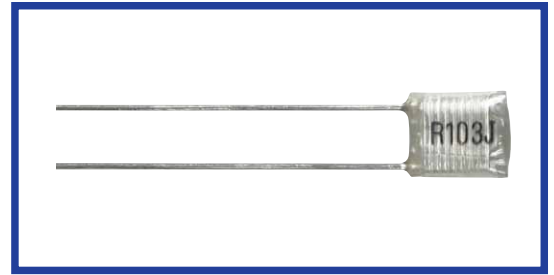
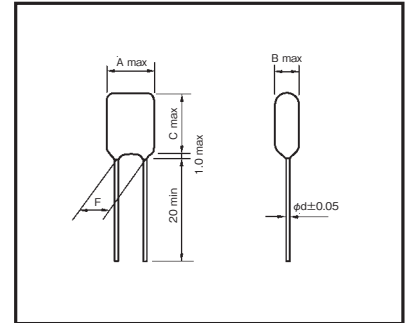
◆標準品一覧表 / STANDARD SIZE

□:静電容量許容差記号 / Capacitance Tolerance **:テーピング記号 / Taping

定格電圧 Rated Voltage	静電容量 Cap(μF)	寸法 Dimensions (mm)						標準梱包数 / Typical Packaging Quantity (pcs)								品番 Part No.
		A	B	C	F	LS [※] ±0.5	d	ロングリード品 Long Lead type		テーピング(つづら)品 - 形状別 Taping Ammo Pack Type - Style						
								Bag	Carton	TV	TF	-	-	TS		
50 Vdc	0.00047	6.0	3.0	7.5	3.5±0.5	5.0	0.5	200	10,000	3,000	-	-	-	3,000	50F2D471□**	
	0.00056	6.0	3.0	7.5	3.5±0.5	5.0	0.5	200	10,000	3,000	-	-	-	3,000	50F2D561□**	
	0.00068	6.0	3.0	7.5	3.5±0.5	5.0	0.5	200	10,000	3,000	-	-	-	3,000	50F2D681□**	
	0.00082	6.0	3.0	7.5	3.5±0.5	5.0	0.5	200	10,000	3,000	-	-	-	3,000	50F2D821□**	
	0.001	6.0	3.0	7.5	3.5±0.5	5.0	0.5	200	10,000	3,000	-	-	-	3,000	50F2D102□**	
	0.0012	6.0	3.0	7.5	3.5±0.5	5.0	0.5	200	10,000	3,000	-	-	-	3,000	50F2D122□**	
	0.0015	6.0	3.0	7.5	3.5±0.5	5.0	0.5	200	10,000	3,000	-	-	-	3,000	50F2D152□**	
	0.0018	6.0	3.0	7.5	3.5±0.5	5.0	0.5	200	10,000	3,000	-	-	-	3,000	50F2D182□**	
	0.0022	6.0	3.0	7.5	3.5±0.5	5.0	0.5	200	10,000	3,000	-	-	-	3,000	50F2D222□**	
	0.0027	6.0	3.0	7.5	3.5±0.5	5.0	0.5	200	10,000	3,000	-	-	-	3,000	50F2D272□**	
	0.0033	6.0	3.0	7.5	3.5±0.5	5.0	0.5	200	10,000	3,000	-	-	-	3,000	50F2D332□**	
	0.0039	6.0	3.0	7.5	3.5±0.5	5.0	0.5	200	10,000	3,000	-	-	-	3,000	50F2D392□**	
	0.0047	6.0	3.5	7.5	3.5±0.5	5.0	0.5	200	10,000	3,000	-	-	-	3,000	50F2D472□**	
	0.0056	6.0	3.0	7.5	3.5±0.5	5.0	0.5	200	10,000	3,000	-	-	-	3,000	50F2D562□**	
	0.0068	6.0	3.0	7.5	3.5±0.5	5.0	0.5	200	10,000	3,000	-	-	-	3,000	50F2D682□**	
	0.0082	6.0	3.0	7.5	3.5±0.5	5.0	0.5	200	10,000	3,000	-	-	-	3,000	50F2D822□**	
	0.01	6.5	3.5	7.5	3.5±0.5	5.0	0.5	200	8,000	2,500	-	-	-	2,500	50F2D103□**	
	0.012	6.5	3.0	8.5	3.5±0.5	5.0	0.5	200	8,000	2,500	-	-	-	2,500	50F2D123□**	
	0.015	6.5	3.0	8.5	3.5±0.5	5.0	0.5	200	8,000	2,500	-	-	-	2,500	50F2D153□**	
	0.018	6.5	3.0	8.5	3.5±0.5	5.0	0.5	200	8,000	2,500	-	-	-	2,500	50F2D183□**	
	0.022	7.0	4.0	9.5	3.5±0.5	5.0	0.5	200	8,000	2,500	-	-	-	2,500	50F2D223□**	
	0.027	7.0	4.0	9.5	3.5±0.5	5.0	0.5	200	5,000	2,500	-	-	-	2,500	50F2D273□**	
	0.033	7.0	4.0	9.5	3.5±0.5	5.0	0.5	200	5,000	2,000	-	-	-	2,500	50F2D333□**	
	0.039	7.5	4.0	9.5	5.0±1.0	5.0	0.5	200	5,000	2,000	-	-	-	2,000	50F2D393□**	
	0.047	8.0	5.0	10.0	5.0±1.0	5.0	0.5	200	4,000	2,000	-	-	-	2,000	50F2D473□**	
	0.056	8.0	4.5	10.5	5.0±1.0	5.0	0.5	200	4,000	2,000	-	-	-	2,000	50F2D563□**	
	0.068	8.0	5.0	10.5	5.0±1.0	5.0	0.5	200	4,000	1,500	-	-	-	1,500	50F2D683□**	
	0.082	8.5	5.0	10.5	5.0±1.0	5.0	0.5	200	3,000	1,500	-	-	-	1,500	50F2D823□**	
	0.1	9.0	6.0	11.5	5.0±1.0	5.0	0.5	200	3,000	1,500	-	-	-	1,500	50F2D104□**	
	0.12	9.0	5.5	12.0	5.0±1.0	5.0	0.5	200	3,000	1,500	-	-	-	1,500	50F2D124□**	
0.15	9.5	6.5	12.0	5.0±1.0	5.0	0.5	200	2,000	1,000	-	-	-	1,000	50F2D154□**		
0.18	10.5	7.0	12.5	7.5±1.5	5.0	0.5	200	2,000	1,000	-	-	-	1,000	50F2D184□**		
0.22	11.5	7.0	12.5	7.5±1.5	5.0	0.5	200	2,000	1,000	-	-	-	1,000	50F2D224□**		
0.27	11.5	7.0	14.0	7.5±1.5	5.0	0.6	200	2,000	-	1,000	-	-	-	50F2D274□**		
0.33	13.0	7.5	15.0	7.5±1.5	5.0	0.6	100	1,500	-	500	-	-	-	50F2D334□**		
0.39	13.5	8.0	15.0	7.5±1.5	5.0	0.6	100	1,000	-	500	-	-	-	50F2D394□**		
0.47	14.5	9.0	16.0	7.5±1.5	5.0	0.6	100	1,000	-	500	-	-	-	50F2D474□**		

※LSはテーピング仕様を参照ください。
LS:Please refer to Taping specification section.

◆形状図 / OUTLINE (mm)



◆標準品一覧表 / STANDARD SIZE

□: 静電容量許容差記号 / Capacitance Tolerance **: テーピング記号 / Taping

定格電圧 Rated Voltage	静電容量 Cap(μF)	寸 法 Dimensions (mm)						標準梱包数 / Typical Packaging Quantity (pcs)							品 番 Part No.
		A	B	C	F	※ LS±0.5	d	ロングリード品 Long Lead type		テーピング(つづら)品 - 形状別 Taping Ammo Pack Type - Style					
								Bag	Carton	TV	TF	—	—	TS	
100 Vdc	0.00047	6.0	3.0	7.5	3.5±0.5	5.0	0.5	200	10,000	3,000	—	—	—	3,000	100F2D471□**
	0.00056	6.0	3.0	7.5	3.5±0.5	5.0	0.5	200	10,000	3,000	—	—	—	3,000	100F2D561□**
	0.00068	6.0	3.0	7.5	3.5±0.5	5.0	0.5	200	10,000	3,000	—	—	—	3,000	100F2D681□**
	0.00082	6.0	3.0	7.5	3.5±0.5	5.0	0.5	200	10,000	3,000	—	—	—	3,000	100F2D821□**
	0.001	6.0	3.0	7.5	3.5±0.5	5.0	0.5	200	10,000	3,000	—	—	—	3,000	100F2D102□**
	0.0012	6.0	3.0	7.5	3.5±0.5	5.0	0.5	200	10,000	3,000	—	—	—	3,000	100F2D122□**
	0.0015	6.0	3.0	7.5	3.5±0.5	5.0	0.5	200	10,000	3,000	—	—	—	3,000	100F2D152□**
	0.0018	6.0	3.0	7.5	3.5±0.5	5.0	0.5	200	10,000	3,000	—	—	—	3,000	100F2D182□**
	0.0022	6.0	3.0	7.5	3.5±0.5	5.0	0.5	200	10,000	3,000	—	—	—	3,000	100F2D222□**
	0.0027	6.0	3.0	7.5	3.5±0.5	5.0	0.5	200	10,000	3,000	—	—	—	3,000	100F2D272□**
	0.0033	6.0	3.0	7.5	3.5±0.5	5.0	0.5	200	10,000	3,000	—	—	—	3,000	100F2D332□**
	0.0039	6.0	3.0	7.5	3.5±0.5	5.0	0.5	200	10,000	3,000	—	—	—	3,000	100F2D392□**
	0.0047	6.0	3.5	7.5	3.5±0.5	5.0	0.5	200	10,000	2,000	—	—	—	2,000	100F2D472□**
	0.0056	6.0	3.5	7.5	3.5±0.5	5.0	0.5	200	10,000	2,000	—	—	—	2,000	100F2D562□**
	0.0068	6.5	3.0	9.5	5.0±1.0	5.0	0.5	200	8,000	2,000	—	—	—	2,000	100F2D682□**
	0.0082	6.5	3.0	9.5	5.0±1.0	5.0	0.5	200	8,000	2,000	—	—	—	2,000	100F2D822□**
	0.01	7.0	4.0	10.0	5.0±1.0	5.0	0.5	200	5,000	2,000	—	—	—	2,000	100F2D103□**
	0.012	7.5	4.0	10.0	5.0±1.0	5.0	0.5	200	5,000	2,000	—	—	—	2,000	100F2D123□**
	0.015	7.5	4.0	10.0	5.0±1.0	5.0	0.5	200	5,000	2,000	—	—	—	2,000	100F2D153□**
	0.018	8.0	4.0	10.0	5.0±1.0	5.0	0.5	200	4,000	2,000	—	—	—	2,000	100F2D183□**
	0.022	8.0	4.0	12.0	5.0±1.0	5.0	0.5	200	4,000	2,000	—	—	—	2,000	100F2D223□**
	0.027	8.0	4.0	12.0	5.0±1.0	5.0	0.5	200	4,000	2,000	—	—	—	2,000	100F2D273□**
	0.033	8.5	4.0	12.5	5.0±1.0	5.0	0.5	200	4,000	2,000	—	—	—	2,000	100F2D333□**
	0.039	8.5	4.5	12.5	5.0±1.0	5.0	0.5	200	3,000	2,000	—	—	—	2,000	100F2D393□**
	0.047	9.0	4.5	12.5	5.0±1.0	5.0	0.5	200	3,000	1,000	—	—	—	1,000	100F2D473□**
	0.056	9.0	5.5	13.0	5.0±1.0	5.0	0.5	200	3,000	1,000	—	—	—	1,000	100F2D563□**
0.068	9.0	5.5	13.0	5.0±1.0	5.0	0.5	200	3,000	1,000	—	—	—	1,000	100F2D683□**	
0.082	9.5	6.0	13.0	7.5±1.5	5.0	0.5	200	2,000	1,000	—	—	—	1,000	100F2D823□**	
0.1	10.5	6.5	13.5	7.5±1.5	5.0	0.5	200	2,000	1,000	—	—	—	1,000	100F2D104□**	
0.12	10.5	6.0	15.0	7.5±1.5	5.0	0.6	200	2,000	—	—	—	—	—	100F2D124□**	
0.15	11.5	7.0	15.0	7.5±1.5	5.0	0.6	100	1,000	—	—	—	—	—	100F2D154□**	
0.18	12.5	7.0	15.5	7.5±1.5	5.0	0.6	100	1,000	—	—	—	—	—	100F2D184□**	
0.22	13.5	8.5	15.5	7.5±1.5	5.0	0.6	100	1,000	—	—	—	—	—	100F2D224□**	
200 Vdc	0.00047	6.0	3.0	7.5	3.5±0.5	5.0	0.5	200	10,000	3,000	—	—	—	3,000	200F2D471□**
	0.00056	6.0	3.0	7.5	3.5±0.5	5.0	0.5	200	10,000	3,000	—	—	—	3,000	200F2D561□**
	0.00068	6.0	3.0	7.5	3.5±0.5	5.0	0.5	200	10,000	3,000	—	—	—	3,000	200F2D681□**
	0.00082	6.0	3.0	7.5	3.5±0.5	5.0	0.5	200	10,000	3,000	—	—	—	3,000	200F2D821□**
	0.001	6.0	3.0	7.5	3.5±1.5	5.0	0.5	200	10,000	3,000	—	—	—	3,000	200F2D102□**
	0.0012	6.0	3.0	7.5	3.5±1.5	5.0	0.5	200	10,000	3,000	—	—	—	3,000	200F2D122□**
	0.0015	6.0	3.0	7.5	3.5±1.5	5.0	0.5	200	10,000	3,000	—	—	—	3,000	200F2D152□**
	0.0018	6.0	3.0	7.5	3.5±1.5	5.0	0.5	200	10,000	3,000	—	—	—	3,000	200F2D182□**
	0.0022	6.0	3.0	7.5	3.5±1.5	5.0	0.5	200	10,000	3,000	—	—	—	3,000	200F2D222□**
	0.0027	6.5	3.5	7.5	3.5±1.5	5.0	0.5	200	10,000	3,000	—	—	—	3,000	200F2D272□**
	0.0033	6.5	3.5	9.5	3.5±1.5	5.0	0.5	200	10,000	2,000	—	—	—	2,000	200F2D332□**
	0.0039	6.5	3.5	9.5	5.0±1.0	5.0	0.5	200	8,000	2,000	—	—	—	2,000	200F2D392□**
	0.0047	7.0	3.5	9.5	5.0±1.0	5.0	0.5	200	8,000	2,000	—	—	—	2,000	200F2D472□**
	0.0056	7.5	4.0	9.5	5.0±1.0	5.0	0.5	200	5,000	2,000	—	—	—	2,000	200F2D562□**
	0.0068	7.5	4.0	10.0	5.0±1.0	5.0	0.5	200	5,000	2,000	—	—	—	2,000	200F2D682□**
	0.0082	7.0	4.0	12.0	5.0±1.0	5.0	0.5	200	5,000	2,000	—	—	—	2,000	200F2D822□**
	0.01	7.5	4.5	12.5	5.0±1.0	5.0	0.5	200	4,000	2,000	—	—	—	2,000	200F2D103□**
	0.012	8.0	4.5	12.5	5.0±1.0	5.0	0.5	200	4,000	1,000	—	—	—	1,000	200F2D123□**
	0.015	8.0	4.5	12.5	5.0±1.0	5.0	0.5	200	4,000	1,000	—	—	—	1,000	200F2D153□**
	0.018	8.5	5.0	12.5	5.0±1.0	5.0	0.5	200	4,000	1,000	—	—	—	1,000	200F2D183□**
	0.022	9.0	5.0	13.0	5.0±1.0	5.0	0.5	200	3,000	1,000	—	—	—	1,000	200F2D223□**
	0.027	9.5	5.5	13.0	5.0±1.0	5.0	0.5	200	3,000	1,000	—	—	—	1,000	200F2D273□**
	0.033	10.0	6.0	13.0	5.0±1.0	5.0	0.5	200	3,000	1,000	—	—	—	1,000	200F2D333□**
	0.039	10.0	6.0	15.0	7.5±1.5	5.0	0.5	200	3,000	750	—	—	—	750	200F2D393□**
	0.047	11.0	6.0	15.0	7.5±1.5	5.0	0.5	200	2,000	750	—	—	—	750	200F2D473□**
	0.056	11.0	6.5	15.0	7.5±1.5	5.0	0.5	100	2,000	—	500	—	—	—	200F2D563□**
0.068	11.5	7.0	15.0	7.5±1.5	5.0	0.6	100	2,000	—	500	—	—	—	200F2D683□**	
0.082	11.5	7.0	18.0	7.5±1.5	5.0	0.6	100	2,000	—	—	—	—	—	200F2D823□**	
0.1	12.5	7.5	18.5	7.5±1.5	5.0	0.6	100	1,000	—	—	—	—	—	200F2D104□**	