

目次	1	Contents	1
概要	1	introduction	1
仕様	2	Specifications	2
DINコネクタ(プラグ)		DIN Connectors (Plugs)	
品番体系	3	Model Number System	3
プラグ	4	Plugs	4
DINコネクタ(ソケット)		DIN Connectors (Sockets)	
中継用	5	In-Line Sockets	5
ソルダー縦型メタルカバータイプ	6	Vertical Sockets with Metal Cover and Manual Soldering	6
ソルダー縦型モールドタイプ	7	Vertical Sockets with Molded and Manual Soldering	7
Dip横形	8~12	Dip Horizontal Type	8 to 12
EMI対策品	13~14	Horizontal Type (EMI-Proof)	13 to 14

概要

ホシデンのDINコネクタは、日本国内のみならず世界各国の電子機器メーカーに、そのすぐれた品質と豊富な品種において、非常に多くの使用実績を有し、高い信頼を得ております。



ホシデンは、お客様各位のご要望にお応えする為、量産性を追求するとともに、標準3~8Pのプラグ・ソケットのほか、アンテナ用、中継用プラグ・ソケットおよび保護キャップ等各種タイプも充実しており、プリント基板用、リード配線用、スイッチ付、ロック機構付、およびパネルにワンタッチで取付けできるタイプなど、あらゆる用途、目的に合った使い方ができるように、多様な製品を取り揃えております。

Introduction

HOSIDEN DIN connectors are supplied to electronic equipment manufacturers both in Japan and overseas and are very well accepted because of high quality, a variety of models available, and high reliability.

In order to satisfy customer requirements, we contrive to realize mass production of our products. And we provide, besides various plug and sockets (standard : 3 to 8P), Plug and sockets for antenna and inline and insulating caps. Also, for meeting every possible applications and purposes, various products for printed circuit board and lead wiring, with switches and locking mechanisms and further with quick mounting mechanism on panel, those can be available.

	プラグ Plug	ソケット Socket
絶縁抵抗 Insulation Resistance	100 M Ω min. at 250 V DC	100 M Ω min. at 250 V DC
絶縁耐力 Dielectric Strength	250 V AC for 1 minute	250 V AC for 1 minute
電流容量 Current Capacity	1 A 100 V AC , 1A 12 V DC	—
接触抵抗 Contact Resistance	—	30m Ω max.

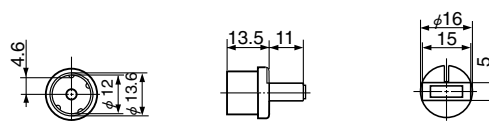
DINソケット  の形状に関してはカタログの図と実製品で違いがある場合があります。
 The shap of pin entrance () of DIN sockets may be different from that of actual product.

用途 Uses	AV機器 精密機械 電子楽器 その他	Audio-video equipment Precision machine Electronic music instrument and so forth.
------------	-----------------------------	--

DINコネクタ用保護キャップ Insulating Caps for DIN Connectors

保護用キャップは防塵用および電子機器外からの静電気によるIC破壊防止用として使用できます。
 Insulating Caps can be used for dust protection and protection of ICs from damage caused by static electricity from outside of electronic equipment.

Unit: mm


TCP9426-01-010


TCS4000シリーズおよびメタルカバータイプソケットに適合します。
 This is suitable for TCS4000 series and metal cover type sockets.

■品番例 / For Example

TCP43□□-□□1□67
 P D K C

D1	ブッシュ / Bush	
	Inside Dia (A)	Length (ℓ)
4	φ4.2	16
6	φ6.2	21
7	φ7.2	21
9	φ5.2	16

D	ブッシュ / Bush	
	Inside Dia (A)	Length (ℓ)
4	φ4.2	16
5	φ5.2	16
6	φ6.2	21.5(21)
7	φ7.2	21.5(21)

(21) is applied to only TCP1300 Series.

K	キー位置 Key Position	
	75	Fig.1
76	Fig.3	Fig.4
85	Fig.5	
86	Fig.6	
87	Fig.7	
88	Fig.8	

C	色調 Color
	1
2	Gray #1
3	Gray #2

C1	色調 Color
	2
4	Gray #1
6	Gray #2

P	ピン配置 Pin Arrangement	Model No.			
		TCP0500	TCP0600	TCP1300	TCP4300
3	3	○	○	○	×
4	4	○	×	○	×
5	5a	○	○	○	○
2	5b	○	×	○	×
1	5c	○	×	×	×
6	6	○	○	○	○
7	7	○	○	○	×
8	8a	○	○	×	○
	8b	×	×	○	×
9	8a	×	×	○	×
	8b	○	×	×	×

○... 製造中 Mass production ×... 別途ご相談下さい。 Consult to our sales person.

■品番例 / For Example

TCP0600-2□
 B

B	ケーブル径 Cable Diameter
6	φ4
8	φ4.8
7	φ5.5
5	φ6
2	φ6.7
4	φ7

ケーブル径によりブッシュ形状が異なります。別途ご相談ください。

The shape of strain relief is different on each cable diameter. Please consult to our sales person.

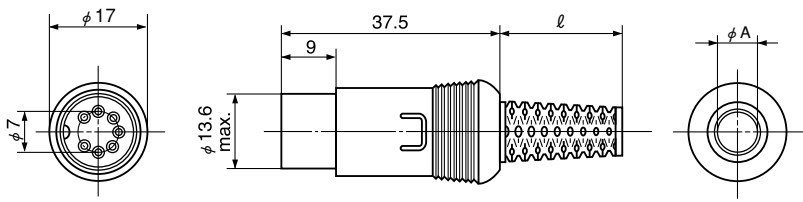
Figure	Fig.1	Fig.2	Fig.3	Fig.4	Fig.5	Fig.6	Fig.7	Fig.8
TCP4300 Series キー溝位置 Key groove Position								
DIN Standard No.	41524	—	41524	—	45327	45322	45329	45326
Number of Pins	3	4	5a	5b	5c	6	7	8a
Pin Arrangement								

TCP0500 Series



TCP0576-715267

Model No.
 TCP05□□-715□67
 P □ D₁ □ C₁

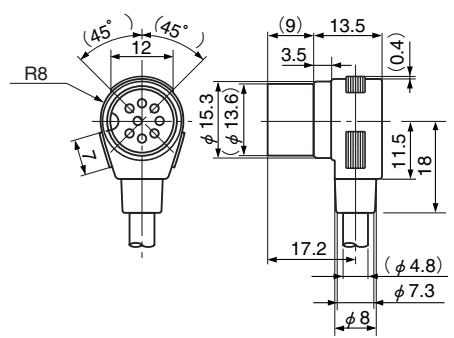


TCP0600 Series



TCP0600-28

Model No.
 TCP0600-2□
 B

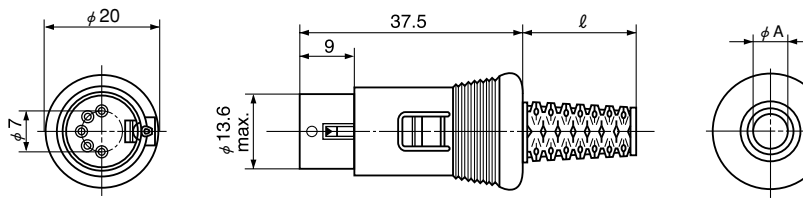


TCP1300 Series

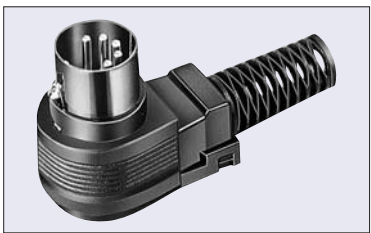


TCP1356-715167

Model No.
 TCP13□□-715□67
 P □ D □ C

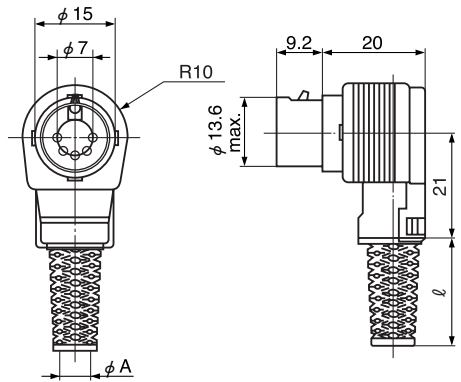


TCP4300 Series



TCP4355-761167

Model No.
 TCP43□□-□□1□67
 P □ D □ K □ C

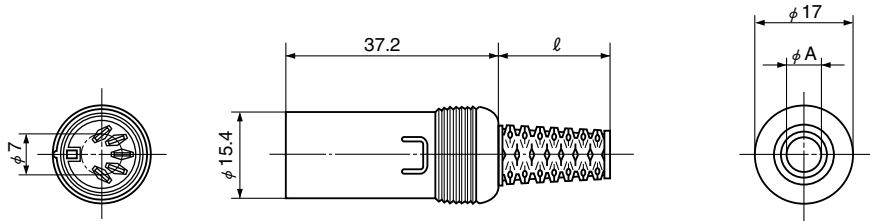


TCS8000 Series

半田結線タイプ / Soldering Connection Type



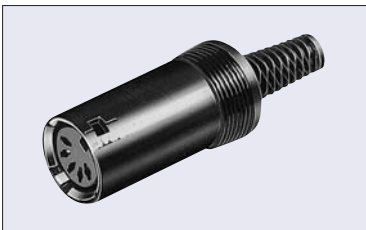
TCS8056-015277



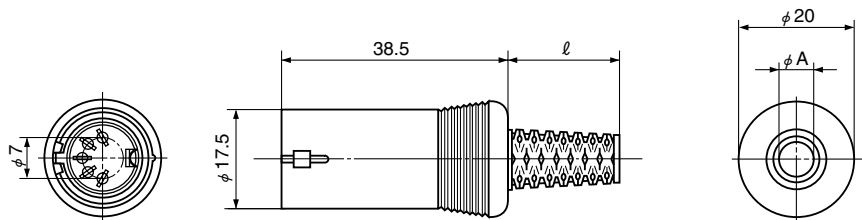
DIN Standard No.			41524	—	41524	—	45327	45322	45329	45326	—	
Number of Pins			3	4	5a	5b	5c	6	7	8a	8b	
Contact Arrangement												
Model No.	長さ Length (l)	Bush										
		内径 Inner Dia. (A)	色調 Color									
Model No.	16	4.2	Black	TCS8034-015277	TCS8044-015277	TCS8054-015277	TCS8024-015277	—	TCS8064-015277	TCS8074-015277	TCS8084-015277	TCS8094-015277
			Gray#1	TCS8034-015677	TCS8044-015677	TCS8054-015677	TCS8024-015677	—	TCS8064-015677	TCS8074-015677	TCS8084-015677	TCS8094-015677
			Gray#2	TCS8034-015477	TCS8044-015477	TCS8054-015477	TCS8024-015477	—	TCS8064-015477	TCS8074-015477	TCS8084-015477	TCS8094-015477
	16	5.2	Black	TCS8039-015277	TCS8049-015277	TCS8059-015277	TCS8029-015277	—	TCS8069-015277	TCS8079-015277	TCS8089-015277	TCS8099-015277
			Gray#1	TCS8039-015677	TCS8049-015677	TCS8059-015677	TCS8029-015677	—	TCS8069-015677	TCS8079-015677	TCS8089-015677	TCS8099-015677
			Gray#2	TCS8039-015477	TCS8049-015477	TCS8059-015477	TCS8029-015477	—	TCS8069-015477	TCS8079-015477	TCS8089-015477	TCS8099-015477
	21	6.2	Black	TCS8036-015277	TCS8046-015277	TCS8056-015277	TCS8026-015277	—	TCS8066-015277	TCS8076-015277	TCS8086-015277	TCS8096-015277
			Gray#1	TCS8036-015677	TCS8046-015677	TCS8056-015677	TCS8026-015677	—	TCS8066-015677	TCS8076-015677	TCS8086-015677	TCS8096-015677
			Gray#2	TCS8036-015477	TCS8046-015477	TCS8056-015477	TCS8026-015477	—	TCS8066-015477	TCS8076-015477	TCS8086-015477	TCS8096-015477
	21	7.2	Black	TCS8037-015277	TCS8047-015277	TCS8057-015277	TCS8027-015277	—	TCS8067-015277	TCS8077-015277	TCS8087-015277	TCS8097-015277
			Gray#1	TCS8037-015677	TCS8047-015677	TCS8057-015677	TCS8027-015677	—	TCS8067-015677	TCS8077-015677	TCS8087-015677	TCS8097-015677
			Gray#2	TCS8037-015477	TCS8047-015477	TCS8057-015477	TCS8027-015477	—	TCS8067-015477	TCS8077-015477	TCS8087-015477	TCS8097-015477

TCS8500 Series

ワンタッチロックタイプ 半田結線タイプ / Quick Locking Type Soldering Connection Type



TCS8556-0170277

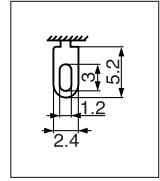
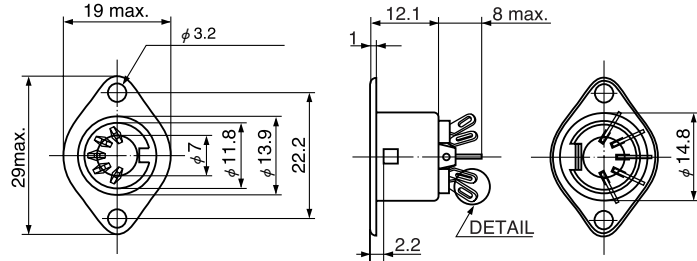


DIN Standard No.			41524	—	41524	—	45327	45322	45329	45326	—	
Number of Pins			3	4	5a	5b	5c	6	7	8a	8b	
Contact Arrangement												
Model No.	長さ Length (l)	Bush										
		内径 Inner Dia. (A)	色調 Color									
Model No.	16	4.2	Black	—	—	TCS8554-0170277	—	—	TCS8564-0170277	TCS8574-0170277	TCS8584-0170277	TCS8594-0170277
			Gray#1	—	—	TCS8554-0170677	—	—	TCS8564-0170677	TCS8574-0170677	TCS8584-0170677	TCS8594-0170677
			Gray#2	—	—	TCS8554-0170477	—	—	TCS8564-0170477	TCS8574-0170477	TCS8584-0170477	TCS8594-0170477
	16	5.2	Black	—	—	TCS8559-0170277	—	—	TCS8569-0170277	TCS8579-0170277	TCS8589-0170277	TCS8599-0170277
			Gray#1	—	—	TCS8559-0170677	—	—	TCS8569-0170677	TCS8579-0170677	TCS8589-0170677	TCS8599-0170677
			Gray#2	—	—	TCS8559-0170477	—	—	TCS8569-0170477	TCS8579-0170477	TCS8589-0170477	TCS8599-0170477
	21	6.2	Black	—	—	TCS8556-0170277	—	—	TCS8566-0170277	TCS8576-0170277	TCS8586-0170277	TCS8596-0170277
			Gray#1	—	—	TCS8556-0170677	—	—	TCS8566-0170677	TCS8576-0170677	TCS8586-0170677	TCS8596-0170677
			Gray#2	—	—	TCS8556-0170477	—	—	TCS8566-0170477	TCS8576-0170477	TCS8586-0170477	TCS8596-0170477
	21	7.2	Black	—	—	TCS8557-0170277	—	—	TCS8567-0170277	TCS8577-0170277	TCS8587-0170277	TCS8597-0170277
			Gray#1	—	—	TCS8557-0170677	—	—	TCS8567-0170677	TCS8577-0170677	TCS8587-0170677	TCS8597-0170677
			Gray#2	—	—	TCS8557-0170477	—	—	TCS8567-0170477	TCS8577-0170477	TCS8587-0170477	TCS8597-0170477

TCS2200 Series



TCS2250-0120177



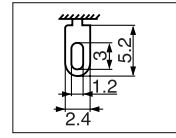
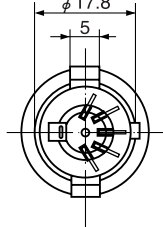
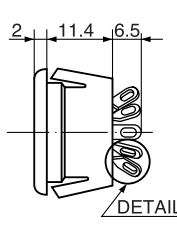
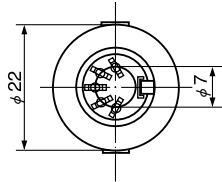
DETAIL

DIN Standard No.	41524	—	41524	—	45327	45322	45329	45326	—
Number of Contacts	3	4	5a	5b	5c	6	7	8a	8b
Arrangement									
Model No.	TCS2230-011177	TCS2240-011277	TCS2250-011277	TCS2220-010377	TCS2210-011177	TCS2260-011277	TCS2270-011277	TCS2280-011277	TCS2290-011277

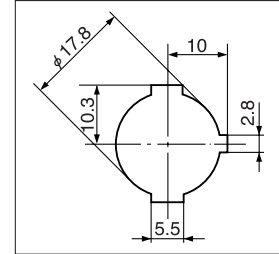
TCS0830 Series



TCS0835-0120177



DETAIL



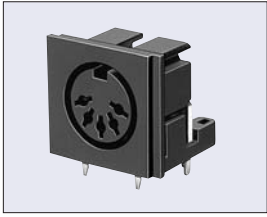
MOUNTING HOLE

DIN Standard No.	41524	—	41524	—	45327	45322	45329	45326	—		
Number of Contact	3	4	5a	5b	5c	6	7	8a	8b		
Arrangement											
	取付パネル厚さ Chassis Material Thickness	φ7	72°	45° (Front View)	60°	45°	60°	45°	45°	45°	
Model No.	2.0	Color	—	TCS0834-0120177	TCS0835-0120177	—	—	TCS0836-0120177	TCS0837-0120177	TCS0838-0120177	TCS0839-0120177
		Gray#1	—	TCS0834-0120277	TCS0835-0120277	—	—	TCS0836-0120277	TCS0837-0120277	TCS0838-0120277	TCS0839-0120277
	1.0	Black	—	TCS0834-0120577	TCS0835-0120577	—	—	TCS0836-0120577	TCS0837-0120577	TCS0838-0120577	TCS0839-0120577
		Gray#1	—	TCS0834-0120677	TCS0835-0120677	—	—	TCS0836-0120677	TCS0837-0120677	TCS0838-0120677	TCS0839-0120677

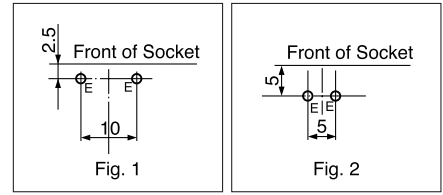
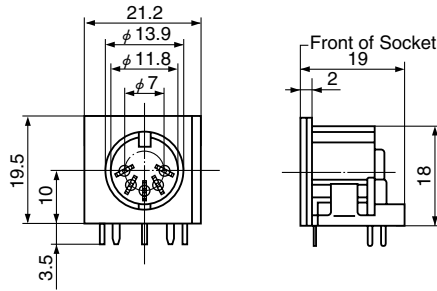
DINコネクタ (Dip横形ソケット) DIN Connectors (Dip Horizontal Type Sockets)

Unit: mm

TCS4400 Series



TCS4450-0140577

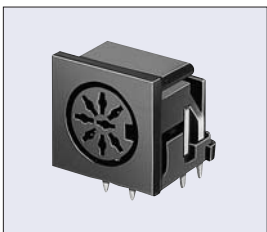


アース接片位置
Ground Terminal Position

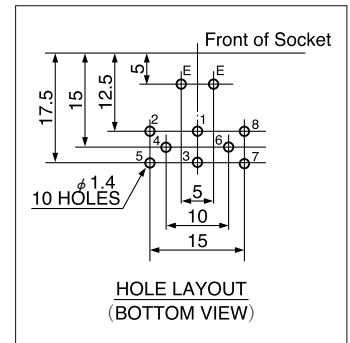
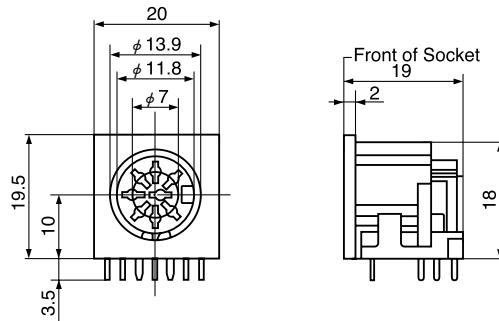
DIN Standard No.	41524	—	41524	—	45327	45322	45329	45326	—
Number of Contacts	3	4	5a	5b	5c	6	7	8a	8b
Arrangement									
アース接片の位置 Ground Terminal Position	Fig.1	TCS4430-0140577	TCS4450-0140577	TCS4420-0140577	TCS4410-0140577	TCS4460-0140577	TCS4470-0140577	TCS4480-0140577	TCS4490-0140577
	Fig.2	TCS4430-0141577	TCS4440-0141577	TCS4450-0141577	TCS4420-0141577	TCS4410-0141577	TCS4460-0141577	TCS4470-0141577	TCS4480-0141577

No. of Poles	3	4	5a	5b
アース接片位置タイプ Fig. 1 Ground Term. Position Type Fig. 1				
HOLE LAYOUT (BOTTOM VIEW)				
5c	6	7	8a	8b

TCS5089 Series



TCS5089-1841577

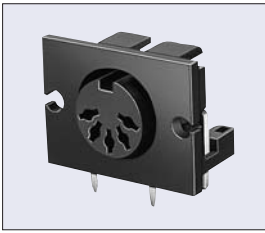


DIN Standard No.	45326
Number of Contacts	8a
Arrangement	
Model No.	TCS5089-1841577

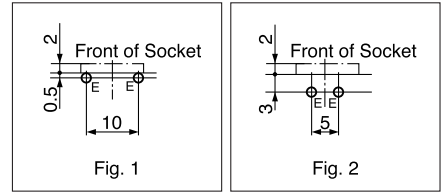
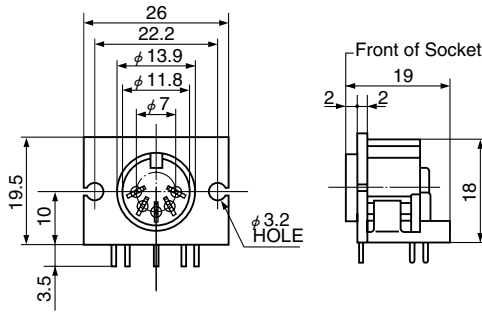
DINコネクタ (Dip横形ソケット) DIN Connectors (Dip Horizontal Type Sockets)

Unit: mm

TCS4600 Series



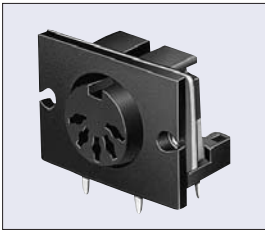
TCS4650-0140577



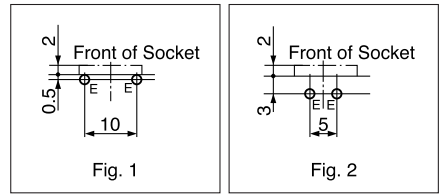
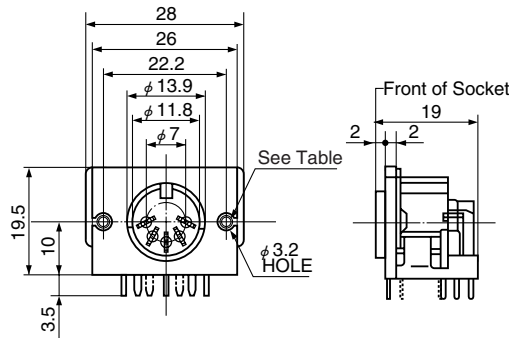
アース接片位置
Ground Terminal Position

DIN Standard No.	41524	—	41524	—	45327	45322	45329	45326	—	
Number of Contacts	3	4	5a	5b	5c	6	7	8a	8b	
Arrangement										
アース接片の位置 Ground Terminal Position	Fig.1	—	TCS4640-0140577	TCS4650-0140577	TCS4620-0140577	TCS4610-0140577	TCS4660-0140577	TCS4670-0140577	TCS4680-0140577	TCS4690-0140577
	Fig.2	—	TCS4640-0141577	TCS4650-0141577	TCS4620-0141577	TCS4610-0141577	TCS4660-0141577	TCS4670-0141577	TCS4680-0141577	TCS4690-0141577

TCS5073 Series



TCS5073-2540577



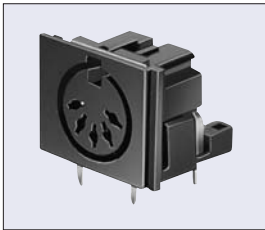
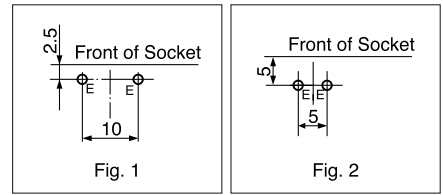
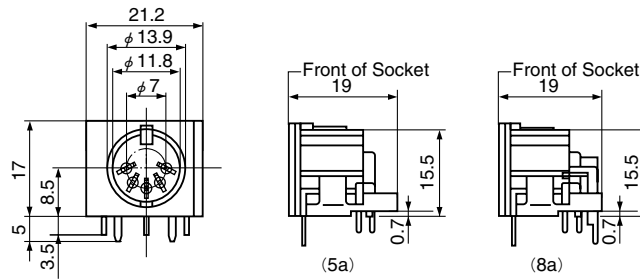
アース接片位置
Ground Terminal Position

DIN Standard No.	41524	—	41524	—	45327	45322	45329	45326	—	
Number of Contacts	3	4	5a	5b	5c	6	7	8a	8b	
Arrangement										
取付孔 Mounting Hole	アース接片の位置 Ground Terminal Position									
	Fig.1	Fig.2								
M3×0.5	—	—	TCS5073-2440577	TCS5073-2540577	TCS5073-2240577	TCS5073-2140577	TCS5073-2640577	TCS5073-2740577	TCS5073-2840577	TCS5073-2940577
M2.6×0.45	Fig.1	Fig.2	TCS5073-2441577	TCS5073-2541577	TCS5073-2241577	TCS5073-2141577	TCS5073-2641577	TCS5073-2741577	TCS5073-2841577	TCS5073-2941577
	Fig.1	Fig.2	TCS5073-2440677	TCS5073-2540677	TCS5073-2240677	TCS5073-2140677	TCS5073-2640677	TCS5073-2740677	TCS5073-2840677	TCS5073-2940677
	Fig.1	Fig.2	TCS5073-2441677	TCS5073-2541677	TCS5073-2241677	TCS5073-2141677	TCS5073-2641677	TCS5073-2741677	TCS5073-2841677	TCS5073-2941677

No. of Poles	3	4	5a	5b
アース接片位置タイプ Fig. 1 Ground Term. Position Type Fig. 1				
HOLE LAYOUT (BOTTOM VIEW)				
5c	6	7	8a	8b

TCS5031 Series

ワンタッチロックタイプ / Quick Locking Type


TCS5031-4540577

 アース接片位置
Ground Terminal Position


DIN Standard No.	41524	45326	45326
Number of Contacts	5a	6	8a
Arrangement			
アース接片の位置 Ground Terminal Position	Fig.1 TCS5031-4540577	Fig.2 TCS5031-4641577	Fig.1 TCS5031-4840577

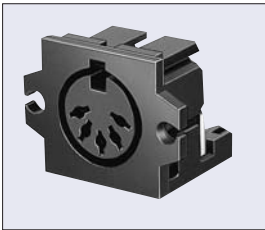
No. of Poles	5a	6	8a
アース接片位置タイプ Fig. 1 Ground Term. Position Type Fig. 1 HOLE LAYOUT (BOTTOM VIEW)			

DINコネクタ (Dip横形ソケット) DIN Connectors (Dip Horizontal type Sockets)

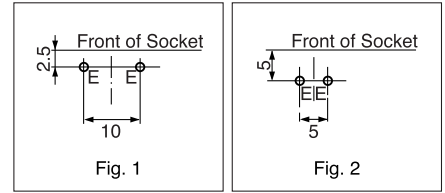
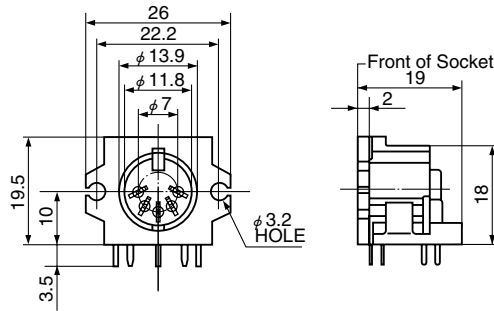
Unit: mm

TCS5300 Series

ワンタッチロックタイプ / Quick Locking Type



TCS5350-0140577

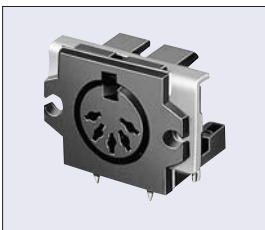


アース接片位置
Ground Terminal Position

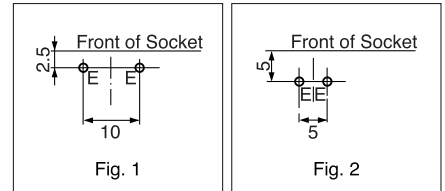
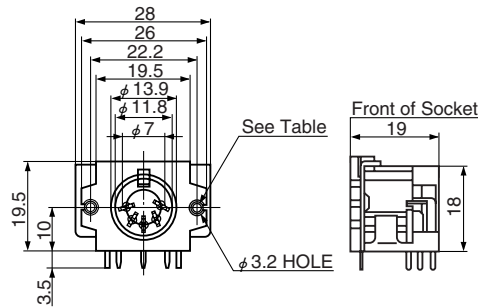
DIN Standard No.	41524	—	41524	—	45327	45322	45329	45326	—
Number of Contacts	3	4	5a	5b	5c	6	7	8a	8b
Arrangement									
アース接片の位置 Ground Terminal Position	Fig.1	—	TCS5350-0140577	—	—	TCS5360-0140577	TCS5370-0140577	TCS5380-0140577	TCS5390-0140577
	Fig.2	—	TCS5350-0141577	—	—	TCS5360-0141577	TCS5370-0141577	TCS5380-0141577	TCS5390-0141577

TCS5093 Series

ワンタッチロックタイプ / Quick Locking Type



TCS5093-1540577



アース接片位置
Ground Terminal Position

DIN Standard No.	41524	—	41524	—	45327	45322	45329	45326	—
Number of Contacts	3	4	5a	5b	5c	6	7	8a	8b
Arrangement									
取付孔 Mounting Hole	Fig.1	—	TCS5093-1540577	—	—	TCS5093-1640577	TCS5093-1740577	TCS5093-1840577	TCS5093-1940577
	Fig.2	—	TCS5093-1541577	—	—	TCS5093-1641577	TCS5093-1741577	TCS5093-1841577	TCS5093-1941577
アース接片の位置 Ground Terminal Position	Fig.1	—	TCS5093-1540677	—	—	TCS5093-1640677	TCS5093-1740677	TCS5093-1840677	TCS5093-1940677
	Fig.2	—	TCS5093-1541677	—	—	TCS5093-1641677	TCS5093-1741677	TCS5093-1841677	TCS5093-1941677

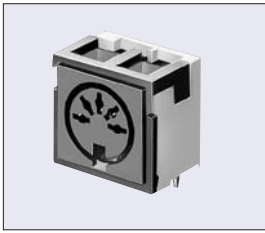
No. of Poles	3	4	5a	5b
アース接片位置タイプ Fig. 1 Ground Term. Position Type Fig. 1 HOLE LAYOUT (BOTTOM VIEW)				
5c	6	7	8a	8b

DINコネクタ (Dip横形ソケット) DIN Connectors (Dip Horizontal Type Sockets)

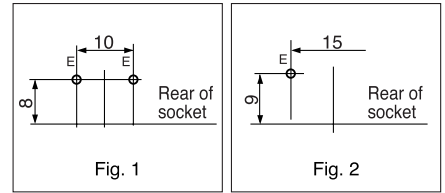
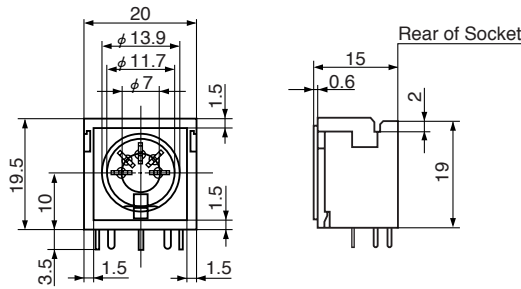
Unit: mm

TCS5076 Series

ワンタッチロックタイプ / Quick Locking Type



TCS5076-151577



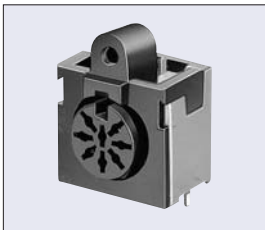
アース接片位置
Ground Terminal Position

DIN Standard No.	41524	—	41524	45322	45329	45326	—
Number of Contacts	3	4	5a	6	7	8a	8b
Arrangement							
アース接片の位置 Ground Terminal Position	Fig.1 Fig.2	— —	TCS5076-151577 TCS5076-151677	TCS5076-161577 TCS5076-161677	TCS5076-171577 TCS5076-171677	TCS5076-181577 TCS5076-181677	— —

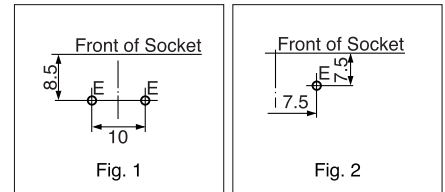
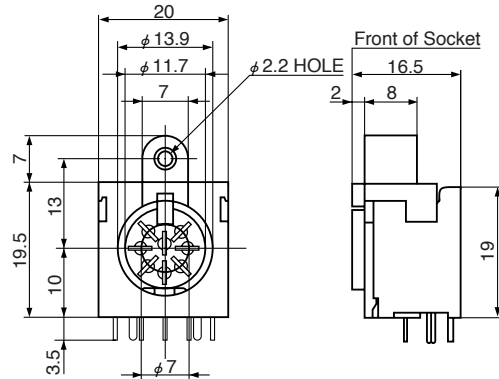
No. of Poles	5a	6	7	8a
アース接片位置タイプ Fig. 1 Ground Term. Position Type Fig. 1 HOLE LAYOUT (BOTTOM VIEW)				

TCS5107 Series

ワンタッチロックタイプ / Quick Locking Type



TCS5107-1820177

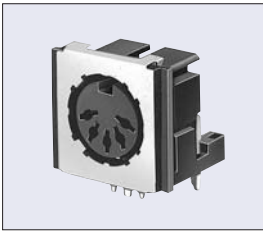


アース接片位置
Ground Terminal Position

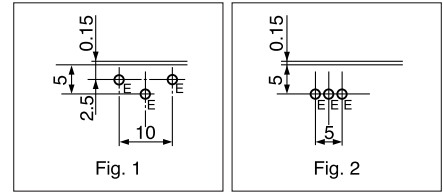
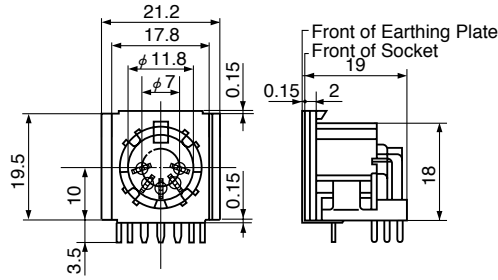
DIN Standard No.	45326	—
Number of Contacts	8a	8b
Arrangement		
アース接片の位置 Ground Terminal Position	Fig.1 Fig.2	TCS5107-1820177 TCS5107-1920477 TCS5107-1821177 TCS5107-1921477

No. of Poles	8a	8b
アース接片位置タイプ Fig. 1 Ground Term. Position Type Fig. 1 HOLE LAYOUT (BOTTOM VIEW)		

TCS5040 Series



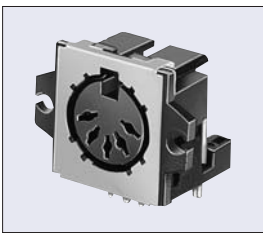
TCS5040-1541577



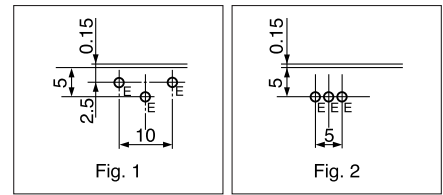
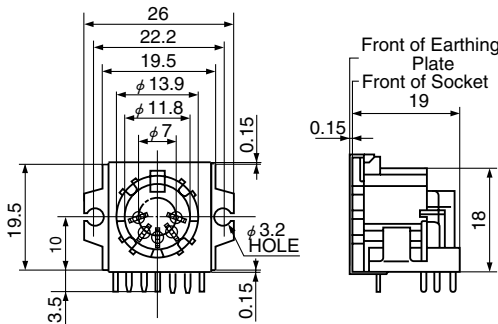
アース接片位置
Ground Terminal Position

DIN Standard No.	41524	—	41524	—	45327	45322	45329	45326	—	
Number of Contacts	3	4	5a	5b	5c	6	7	8a	8b	
Arrangement										
アース接片の位置 Ground Terminal Position	Fig.1	TCS5040-1340577	TCS5040-1440577	TCS5040-1540577	TCS5040-1240577	TCS5040-1140577	TCS5040-1640577	TCS5040-1740577	TCS5040-1840577	TCS5040-1940577
	Fig.2	TCS5040-1341577	TCS5040-1441577	TCS5040-1541577	TCS5040-1241577	TCS5040-1141577	TCS5040-1641577	TCS5040-1741577	TCS5040-1841577	TCS5040-1941577

TCS5090 Series



TCS5090-1541577

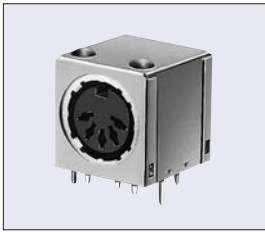


アース接片位置
Ground Terminal Position

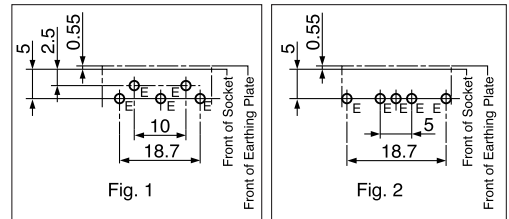
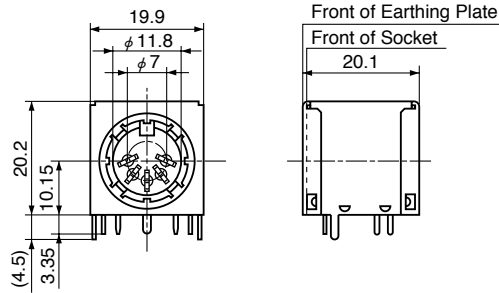
DIN Standard No.	41524	—	41524	—	45327	45322	45329	45326	—
Number of Contacts	3	4	5a	5b	5c	6	7	8a	8b
Arrangement									
アース接片の位置 Ground Terminal Position	Fig.1	—	TCS5090-1540577	—	—	TCS5090-1640577	TCS5090-1740577	TCS5090-1840577	TCS5090-1940577
	Fig.2	—	TCS5090-1541577	—	—	TCS5090-1641577	TCS5090-1741577	TCS5090-1841577	TCS5090-1941577

No. of Poles	3	4	5a	5b
アース接片位置タイプ Fig. 1 Ground Term. Position Type Fig. 1				
HOLE LAYOUT (BOTTOM VIEW)				
5c	6	7	8a	8b

TCS5074 Series



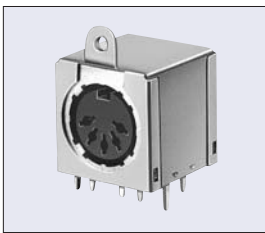
TCS5074-4540577



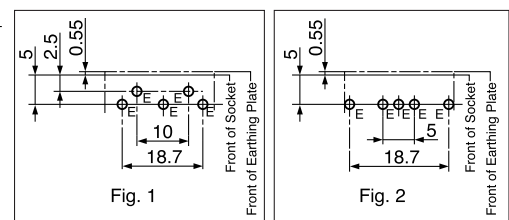
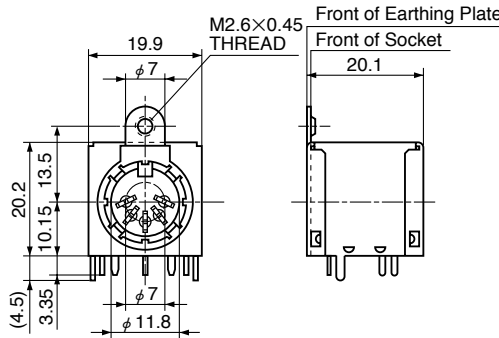
アース接片位置
Ground Terminal Position

DIN Standard No.	41524	—	41524	—	45327	45322	45329	45326	—	
Number of Contacts	3	4	5a	5b	5c	6	7	8a	8b	
Arrangement										
アース接片の位置 Ground Terminal Position	Fig.1	TCS5074-4340577	TCS5074-4440577	TCS5074-4540577	TCS5074-4240577	—	TCS5074-4640577	TCS5074-4740577	TCS5074-4840577	TCS5074-4940577
	Fig.2	TCS5074-4341577	TCS5074-4441577	TCS5074-4541577	TCS5074-4241577	—	TCS5074-4641577	TCS5074-4741577	TCS5074-4841577	TCS5074-4941577

TCS5084 Series



TCS5084-4540577



アース接片位置
Ground Terminal Position

DIN Standard No.	41524	—	41524	—	45327	45322	45329	45326	—	
Number of Contacts	3	4	5a	5b	5c	6	7	8a	8b	
Arrangement										
アース接片の位置 Ground Terminal Position	Fig.1	TCS5084-4340577	TCS5084-4440577	TCS5084-4540577	TCS5084-4240577	—	TCS5084-4640577	TCS5084-4740577	TCS5084-4840577	TCS5084-4940577
	Fig.2	TCS5084-4341577	TCS5084-4441577	TCS5084-4541577	TCS5084-4241577	—	TCS5084-4641577	TCS5084-4741577	TCS5084-4841577	TCS5084-4941577

No. of Poles	3	4	5a	5b
アース接片位置タイプ Fig. 1 Ground Term. Position Type Fig. 1				
HOLE LAYOUT (BOTTOM VIEW)				
5c				