

Model No.	OSPR3X03
REV.	C1

Aluminum PCB for Xeon Power 3W LED Module

Descriptions:

- Green light source, fast response
- Long Lifetime Operation

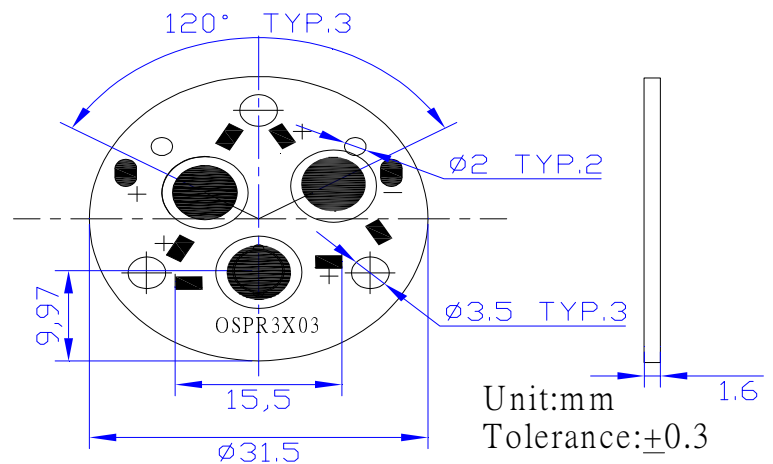
Features:

- PCB dimension: $\Phi 31.5\text{mm}$, height: 1.6mm
- Highest disperse hot
- Material : Aluminum
- PCB color : White
- Can be equipped with LED: OSXXE1C1E

Application:

- Small Space Lighting
- Mechanical equipment lights

Product Picture and Dimensions:



Unit:mm
Tolerance: $\pm 0.3\text{mm}$