

ALTERNATIVE 5W STEREO AUDIO AMPLIFIER

Description

The PAM8406 is a 5W audio amplifier with an alternative option between Class-D and Class-AB output which makes PAM8406 very ideally for the applications efficiency-EMI compatible.

PAM8406 offers low THD+N, high SNR allowing it to achieve high-quality sound reproduction. The fully differential output with new filterless architecture (Class-D Mode) allows the device to drive the speaker directly, requiring no low-pass output filters and DC blocking capacitors, thus to save the system cost and PCB area.

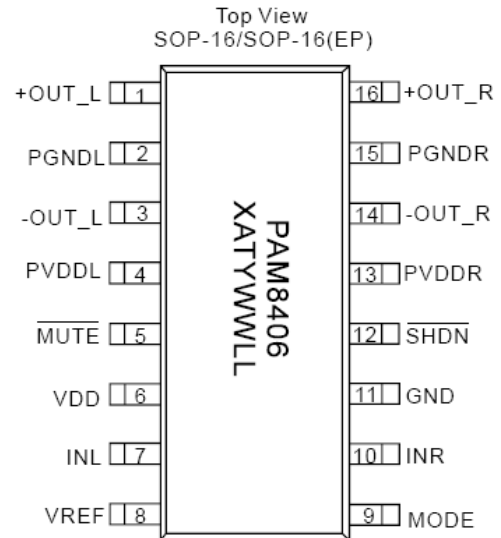
The efficiency of the PAM8406 is up to 90%. It can extend the battery life, ideally for portable applications. The PAM8406 is fully protected against faults with short circuit protection and thermal protection.

The PAM8406 is available in SOP-16L/SOP-16(EP) package.

Features

- Alternative Output: Class-D or Class-AB
- 5W Output at 10% THD with a 2Ω Load and 5V Power Supply at Class-D Mode
- 3W Output at 10% THD with a 4Ω Load and 5V Power Supply
- Filterless, Low Quiescent Current and No EMI
- Low THD+N at Fully Output Range
- Superior Low Noise
- Efficiency up to 90% with Class-D Mode
- No Pop At Turn-on/off
- Fully Short Circuit Protection With Auto Recovery
- Thermal Shutdown
- Few External Components to Save the Space and Cost
- SOP-16L/SOP-16(EP) Package

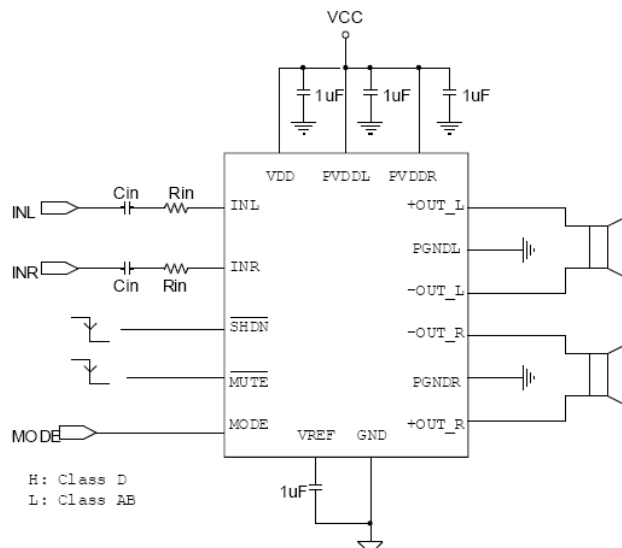
Pin Assignments



Applications

- LCD TVs
- Multimedia Speakers
- AM/FM System
- DABs

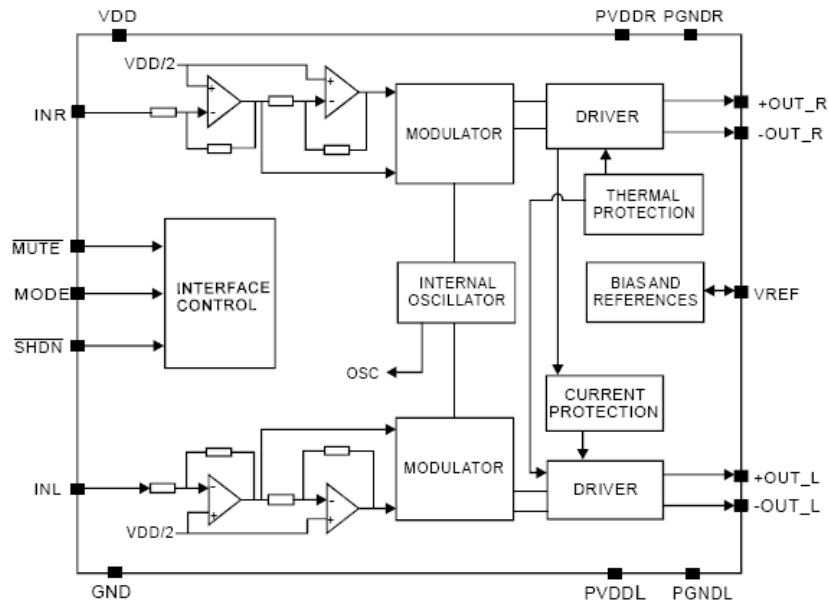
Typical Applications Circuit



Pin Descriptions

Pin Number	Pin Name	Function
1	+OUT_L	Left Channel Positive Output
2	PGNDL	Power GND
3	-OUT_L	Left Channel Negative Output
4	PVDDL	Power VDD
5	MUTE	Mute Control Input (active low)
6	VDD	Analog VDD
7	INL	Left Channel Input
8	VREF	Internal analog reference, connect a bypass capacitor from VREF to GND.
9	MODE	High: Class-D; Low: Class-AB
10	INR	Right Channel Input
11	GND	Analog GND
12	SHDN	Shutdown Control Input (active low)
13	PVDDR	Power VDD
14	-OUT_R	Right Channel Negative Output
15	PGNDR	Power GND
16	+OUT_R	Right Channel Positive Output

Functional Block Diagram



Absolute Maximum Ratings (@T_A = +25°C, unless otherwise specified.)

These are stress ratings only and functional operation is not implied. Exposure to absolute maximum ratings for prolonged time periods may affect device reliability. All voltages are with respect to ground.

Parameter	Rating	Unit
Supply Voltage	6.0	V
Input Voltage	-0.3 to V _{DD} +0.3V	
Operation Temperature Range	-40 to +85	°C
Maximum Junction Temperature	150	
Operation Junction Temperature	-40 to +125	
Storage Temperature	-65 to +150	
Soldering Temperature	300, 5 sec	

Recommended Operating Conditions (@T_A = +25°C, unless otherwise specified.)

Parameter	Rating	Unit
Supply Voltage Range	2.5 to 5.5	V
Operation Temperature Range	-40 to +85	°C
Junction Temperature Range	-40 to +125	°C

Thermal Information

Parameter	Package	Symbol	Max	Unit
Thermal Resistance (Junction to Ambient)	SOP-16	θ_{JA}	110	°C/W
Thermal Resistance (Junction to Case)	SOP-16	θ_{JC}	23	

Electrical Characteristics

(@T_A = +25°C, V_{DD} = 5V, Gain = 24dB, R_L = 8Ω, both Class-AB and D mode, unless otherwise specified.)

Symbol	Parameter	Test Conditions	Min	Typ	Max	Units
V _{DD}	Supply Voltage		2.5		5.5	V
P _O	Output Power	THD+N = 10%, f = 1KHz, R _L = 2Ω (Class-D)	V _{DD} = 5.0V		5.0	W
			V _{DD} = 3.6V		2.6	
			V _{DD} = 2.5V		1.3	
		THD+N = 1%, f = 1KHz, R _L = 2Ω (Class-D)	V _{DD} = 5.0V		4.0	W
			V _{DD} = 3.6V		2.0	
			V _{DD} = 2.5V		1.0	
		THD+N = 10%, f = 1KHz, R _L = 4Ω	V _{DD} = 5.0V		3.14	W
			V _{DD} = 3.6V		1.5	
			V _{DD} = 2.5V		0.76	
		THD+N = 1%, f = 1KHz, R _L = 4Ω	V _{DD} = 5.0V		2.55	W
			V _{DD} = 3.6V		1.45	
			V _{DD} = 2.5V		0.63	
		THD+N = 10%, f = 1KHz, R _L = 8Ω	V _{DD} = 5.0V		1.8	W
			V _{DD} = 3.6V		0.92	
			V _{DD} = 2.5V		0.44	
		THD+N = 1%, f = 1KHz, R _L = 8Ω	V _{DD} = 5.0V		1.6	W
			V _{DD} = 3.6V		0.76	
			V _{DD} = 2.5V		0.36	
THD+N	Total Harmonic Distortion Plus Noise	V _{DD} = 5.0V, P _O = 0.1W to 1W, R _L = 8Ω	f = 1kHz		0.15	%
		V _{DD} = 3.6V, P _O = 0.05W to 0.5W, R _L = 8Ω			0.11	
		V _{DD} = 5.0V, P _O = 0.1W to 2W, R _L = 4Ω	f = 1kHz		0.15	%
		V _{DD} = 3.6V, P _O = 0.05W to 2W, R _L = 4Ω			0.11	
		V _{DD} = 5.0V, P _O = 0.1W to 2W, R _L = 2Ω (Class-D)	f = 1kHz		0.15	%
		V _{DD} = 3.6V, P _O = 0.05W to 1W, R _L = 2Ω (Class-D)			0.11	
G _V	Closed Loop Gain	V _{DD} = 3V to 5V				dB
PSRR	Power Supply Ripple Rejection	V _{DD} = 5.0V, Inputs AC-Grounded with C _{IN} = 0.47μF	f = 100Hz		-70	dB
			f = 1kHz		-65	dB
C _S	Crosstalk	V _{DD} = 5.0V, P _O = 0.5W, R _L = 8Ω, G _V = 24db	f = 1kHz		-95	dB
SNR	Signal-to-Noise Ratio	V _{DD} = 5.0V, THD = 1%, G _V = 24db	f = 1kHz		90	dB
V _N	Output Noise	V _{DD} = 5.0V, Inputs AC-Grounded	A-Weighting		100	μV
			No A-Weighting		150	
η	Efficiency	R _L = 8Ω, THD = 10%	Class D Mode f = 1kHz		90	%
		R _L = 4Ω, THD = 10%			85	
		R _L = 2Ω, THD = 10%			80	
I _Q	Quiescent Current	V _{DD} = 5.0V	No Load		10	mA
		V _{DD} = 3.6V			8	
		V _{DD} = 2.5V			6	
	Quiescent Current	V _{DD} = 5.0V	No Load		25	mA
		V _{DD} = 3.6V			15	
		V _{DD} = 2.5V			10	

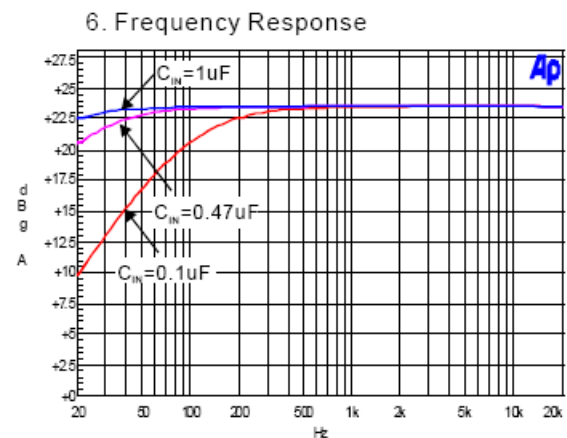
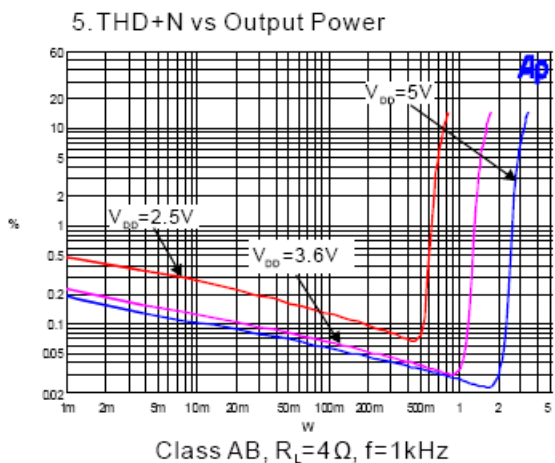
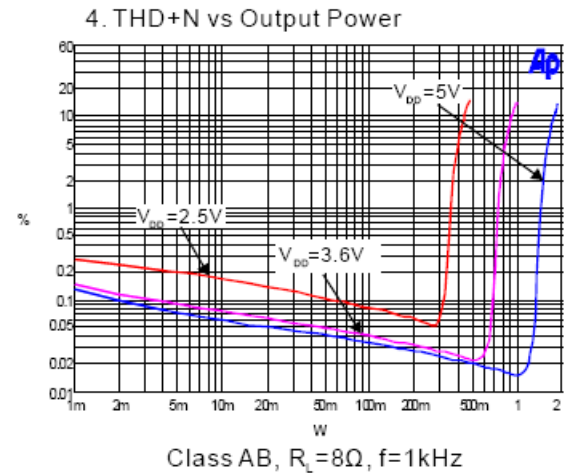
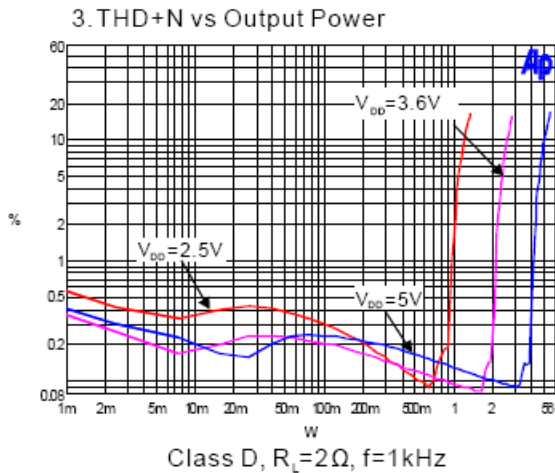
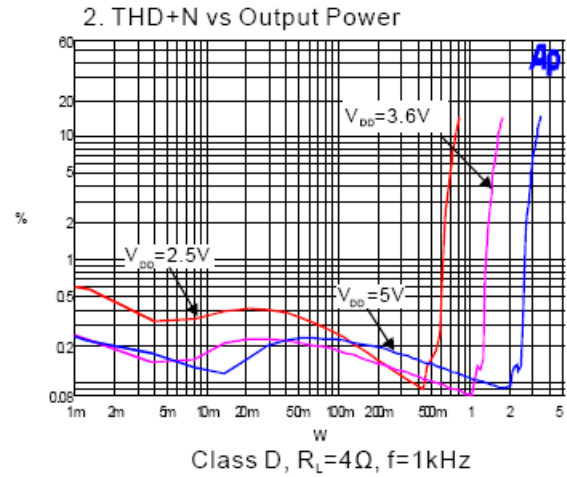
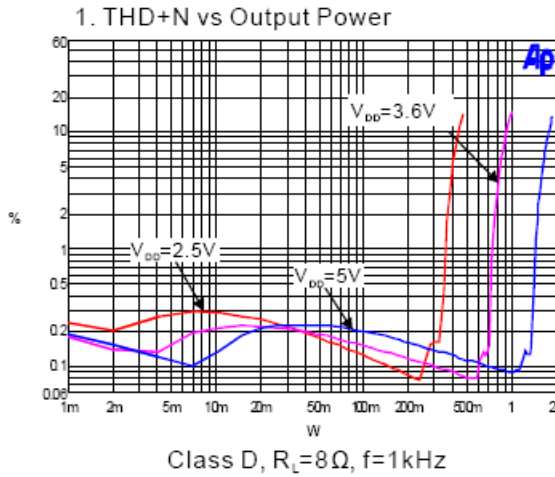
Electrical Characteristics (cont.)

(@T_A = +25°C, V_{DD} = 5V, Gain = 24dB, R_L = 8Ω, both Class-AB and D mode, unless otherwise specified.)

Symbol	Parameter	Test Conditions		Min	Typ	Max	Units
I _{MUTE}	Muting Current	V _{DD} = 5.0V	V _{MUTE} = 0.3V		2.4		mA
I _{SD}	Shutdown Current	V _{DD} = 2.5V to 5.5V	V _{SD} = 0.3V		< 1		μA
R _{DS(ON)}	Static Drain-to-Source On-State Resistor	I _{DS} = 500mA, V _{GS} = 5V	PMOS		180		mΩ
			NMOS		140		
f _{SW}	Switching Frequency	V _{DD} = 2.5V to 5.5V	Class-D		250		kHz
V _{OS}	Output Offset Voltage	Input AC-GND, V _{DD} = 5.0V			10		mV
V _{IH}	Enable Input High Voltage	V _{DD} = 5.0V		1.4			V
V _{IL}	Enable Input Low Voltage	V _{DD} = 5.0V				0.4	
V _{IH}	MUTE Input High Voltage	V _{DD} = 5.0V		1.4			V
V _{IL}	MUTE Input Low Voltage	V _{DD} = 5.0V				0.4	
V _{IH}	MODE Input High Voltage	V _{DD} = 5.0V		1.4			V
V _{IL}	MODE Input Low Voltage	V _{DD} = 5.0V				0.4	
OTP	Over Temperature Protection	No Load, Junction Temperature	V _{DD} = 5.0V		150		°C
OTH	Over Temperature Hysteresis				30		

Typical Performance Characteristics

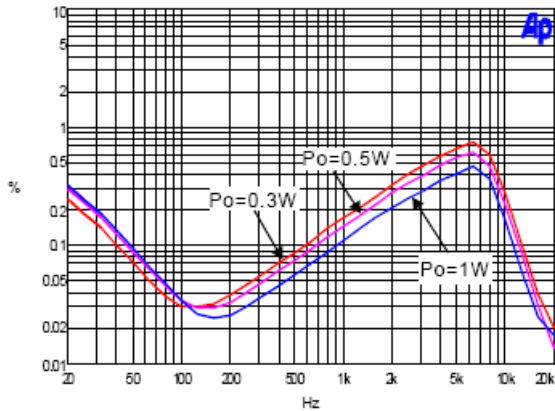
(@T_A = +25°C, V_{DD} = 5V, Gain = 24dB, R_L = 8Ω, both Class-AB and D mode, unless otherwise specified.)



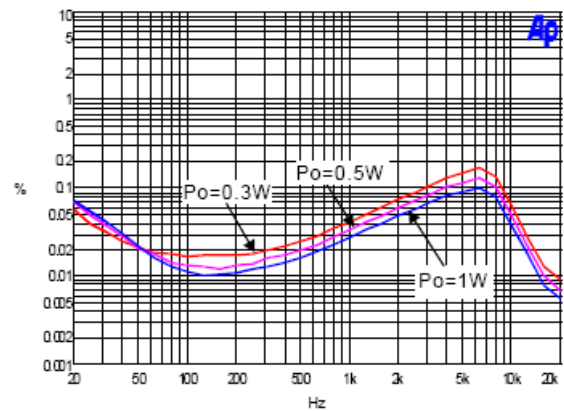
Typical Performance Characteristics (cont.)

(@ $T_A = +25^\circ\text{C}$, $V_{DD} = 5\text{V}$, Gain = 24dB, $R_L = 8\Omega$, both Class-AB and D mode, unless otherwise specified.)

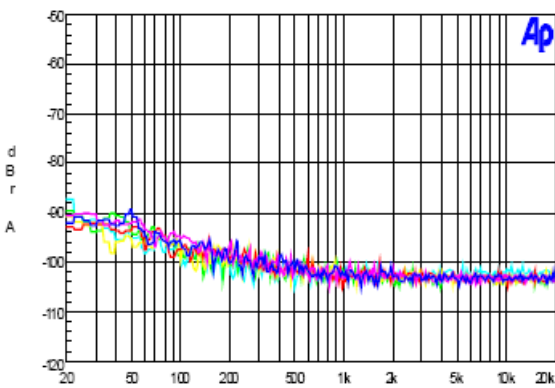
7. THD+N vs Frequency (Class D)



8. THD+N vs Output Power (Class AB)

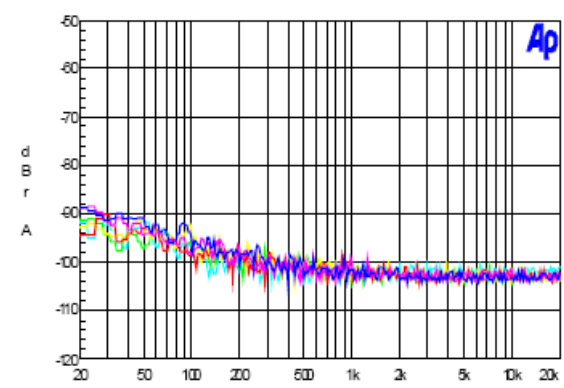


9. Noise Floor (Class D)



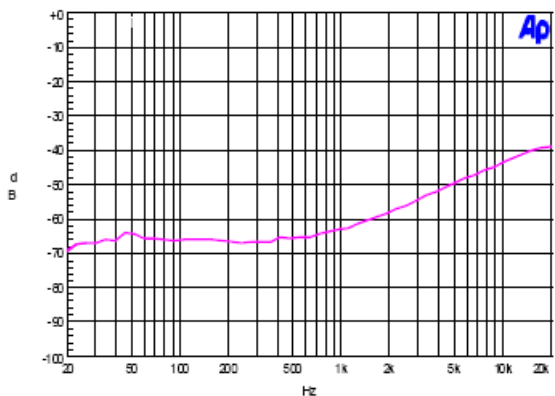
$R_L = 4\Omega, V_{in} = 2.5\text{V}/3.3\text{V}/3.6\text{V}/4.2/5\text{V}/5.5\text{V}$

10. Noise Floor (Class AB)

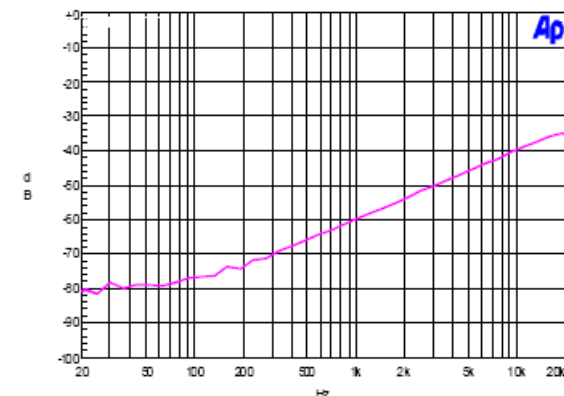


$R_L = 4\Omega, V_{in} = 2.5\text{V}/3.3\text{V}/3.6\text{V}/4.2/5\text{V}/5.5\text{V}$

11. PSRR (Class D)

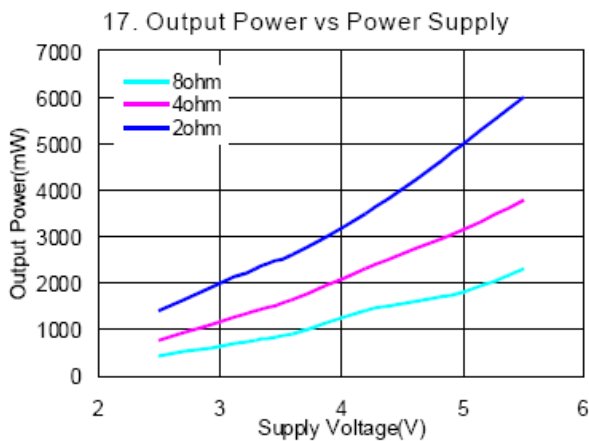
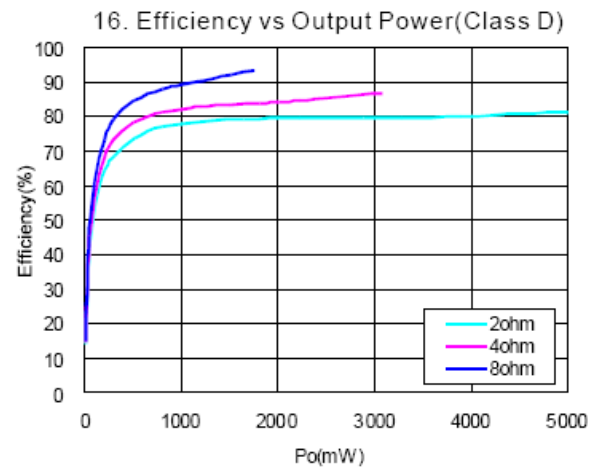
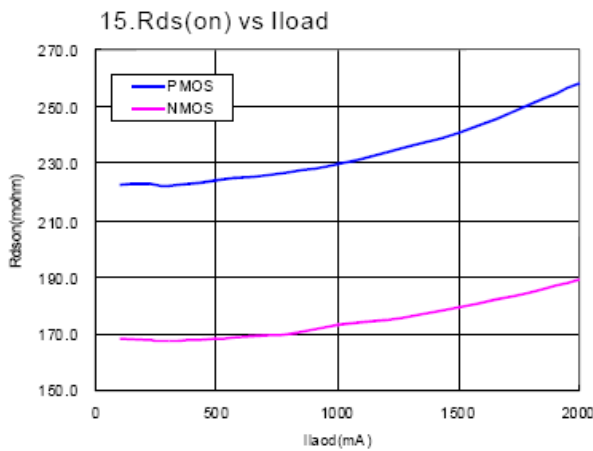
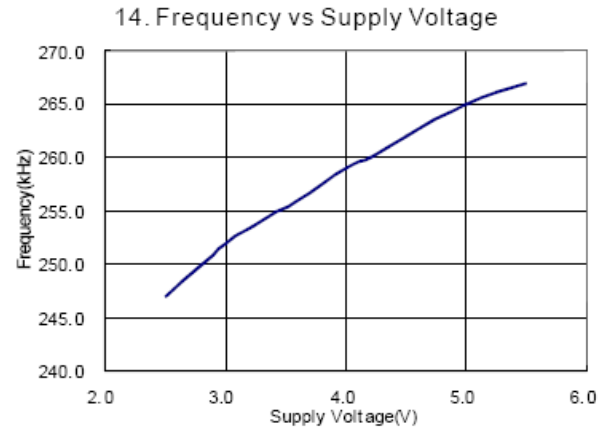
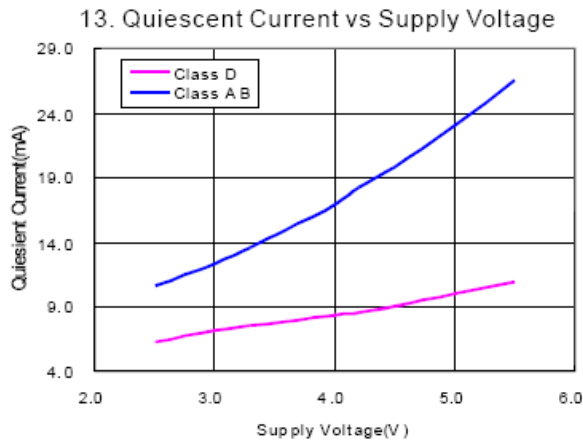


12. PSRR (Class AB)



Typical Performance Characteristics (cont.)

(@ $T_A = +25^\circ\text{C}$, $V_{DD} = 5\text{V}$, Gain = 24dB, $R_L = 8\Omega$, both Class-AB and D mode, unless otherwise specified.)

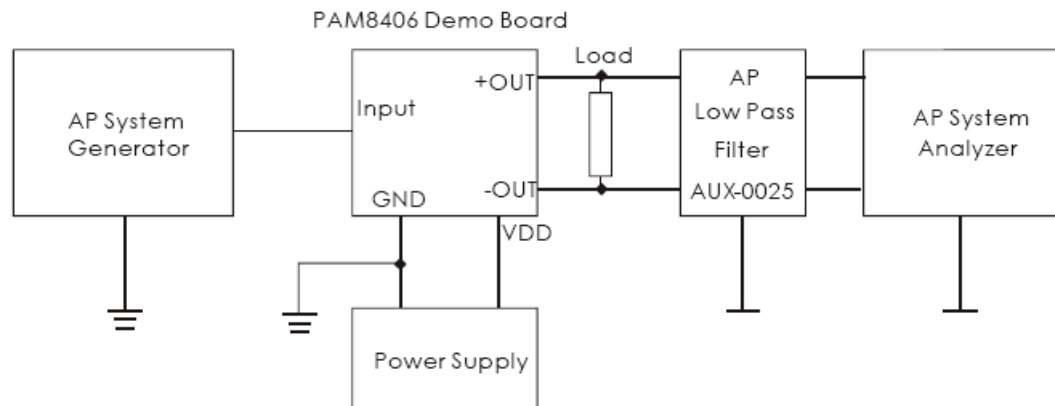


Application Information

Application Note

1. When the PAM8406 works in Class-D with LC filters, it should be connected with the speaker before it's powered on, otherwise it will be damaged easily.
2. When the PAM8406 works without LC filters, it's better to add a ferrite chip bead at the outgoing line of speaker for suppressing the possible electromagnetic interference.
3. The recommended operating voltage is 5.5V. When the PAM8406 is powered with four battery cells, it should be noted that the voltage of four new dry or alkaline batteries is over 6.0V, higher than its operation voltage, which will probably damage the device. Therefore, it's recommended to use either four Ni-MH (Nickel Metal Hydride) rechargeable batteries or 3 dry or alkaline batteries.
4. One should not make the input signal too large. Large signal can cause the clipping of output signal when increasing the volume. This will damage the device because of big gain of the PAM8406.

Test Setup for Performance Testing



- Notes:
1. The AP AUX-0025 low pass filter is necessary for Class-D amplifier measurement with AP analyzer.
 2. Two 22μH inductors are used in series with load resistor to emulate the small speaker for efficiency measurement.

Maximum Gain

As shown in block diagram (Page 2), the PAM8406 has two internal amplifier stages. The first stage's gain is externally configurable, while the second stage's is internally fixed. The closed-loop gain of the first stage is set by selecting the ratio of R_F to R_I while the second stage's gain is fixed at 2x. The output of amplifier 1 serves as the input to amplifier 2, thus the two amplifiers produce signals identical in magnitude, but different in phase by 180°. Consequently, the differential gain for the IC is

$$A_{VD} = 20 \cdot \log [2 \cdot (R_F/R_I)]$$

The PAM8406 sets maximum $R_F = 142k\Omega$, minimum $R_I = 18k\Omega$, so the maximum closed-gain is 24dB.

Mode Selection

When mode pin high, it features Class-D; mode pin low, it's class AB. Mode pin can't be floating.

Mute Operation

The MUTE pin is an input for controlling the output state of the PAM8406. A logic low on this pin disables the outputs, and a logic high on this pin enables the outputs. This pin may be used as a quick disable or enable of the outputs without a volume fade. Quiescent current is listed in the electrical characteristic table. The MUTE pin can be left floating due to the internal pull-up.

Shutdown Operation

In order to reduce power consumption while not in use, the PAM8406 contains shutdown circuitry to turn off the amplifier's bias circuitry. This shutdown feature turns the amplifier off when logic low is applied to the SHDN pin. By switching the SHDN pin connected to GND, the PAM8406 supply current draw will be minimized in idle mode. The SHDN pin can be left floating due to the internal pull-up.

Application Information (cont.)

Power Supply Decoupling

The PAM8406 is a high performance CMOS audio amplifier that requires adequate power supply decoupling to ensure the output THD and PSRR as low as possible. Power supply decoupling affects low frequency response. Optimum decoupling is achieved by using two capacitors of different types targeting to different types of noise on the power supply leads. For higher frequency transients, spikes, or digital hash on the line, a good low equivalent-series resistance (ESR) ceramic capacitor, typically 1.0 μ F, works best, placing it as close as possible to the device V_{DD} terminal. For filtering lower frequency noise signals, a large capacitor of 20 μ F (ceramic) or greater is recommended, placing it near the audio power amplifier.

Input Capacitor (C_I)

Large input capacitors are both expensive and space hungry for portable designs. Clearly, a certain sized capacitor is needed to couple in low frequencies without severe attenuation. But in many cases the speakers used in portable systems, whether internal or external, have little ability to reproduce signals below 100Hz to 150Hz. Thus, using a large input capacitor may not increase actual system performance. In this case, input capacitor (C_I) and input resistance (R_I) of the amplifier form a high-pass filter with the corner frequency determined by equation below,

$$f_c = \frac{1}{2\pi R_I C_I}$$

In addition to system cost and size, click and pop performance is affected by the size of the input coupling capacitor, C_I . A larger input coupling capacitor requires more charge to reach its quiescent DC voltage (nominally 1/2 V_{DD}). This charge comes from the internal circuit via the feedback and is apt to create pops upon device enable. Thus, by minimizing the capacitor size based on necessary low frequency response, turn-on pops can be minimized.

Analog Reference Bypass Capacitor (C_{BYP})

The Analog Reference Bypass Capacitor (C_{BYP}) is the most critical capacitor and serves several important functions. During start-up or recovery from shutdown mode, C_{BYP} determines the rate at which the amplifier starts up. The second function is to reduce noise caused by the power supply coupling into the output drive signal. This noise is from the internal analog reference to the amplifier, which appears as degraded PSRR and THD+N.

A ceramic bypass capacitor (C_{BYP}) with values of 0.47 μ F to 1.0 μ F is recommended for the best THD and noise performance. Increasing the bypass capacitor reduces clicking and popping noise from power on/off and entering and leaving shutdown.

Under Voltage Lock-Out (UVLO)

The PAM8406 incorporates circuitry designed to detect low supply voltage. When the supply voltage drops to 2.0V or below, the PAM8406 outputs are disabled, and the device comes out of this state and starts to normal function when $V_{DD} \geq 2.2V$.

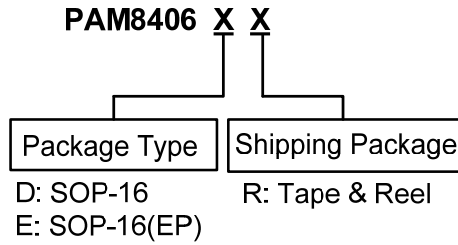
Short Circuit Protection (SCP)

The PAM8406 has short circuit protection circuitry on the outputs to prevent damage to the device when output-to-output or output-to-GND short occurs. When a short circuit is detected on the outputs, the outputs are disabled immediately. If the short was removed, the device activates again.

Over Temperature Protection

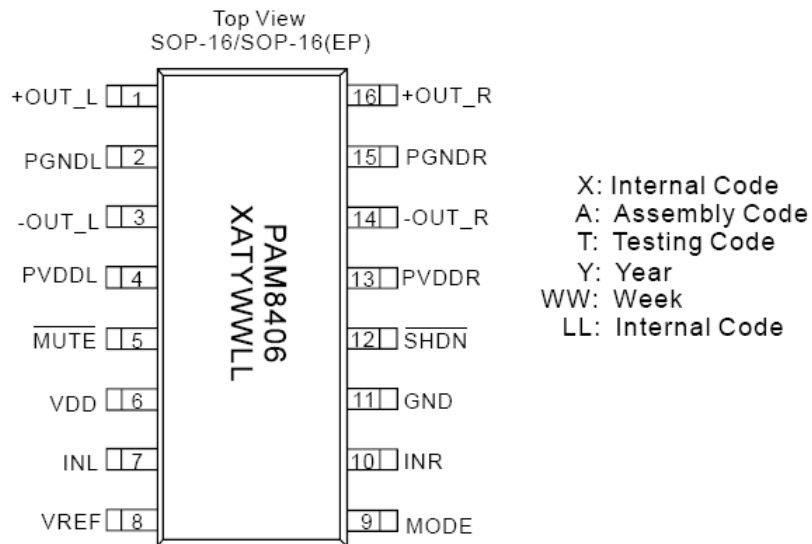
Thermal protection on the PAM8406 prevents the device from damage when the internal die temperature exceeds +150°C. There is a 15 degree tolerance on this trip point from device to device. Once the die temperature exceeds the thermal set point, the device outputs are disabled. This is not a latched fault. The thermal fault is cleared once the temperature of the die is reduced by 30°C. This large hysteresis will prevent motor boating sound well and the device begins normal operation at this point without external system intervention.

Ordering Information



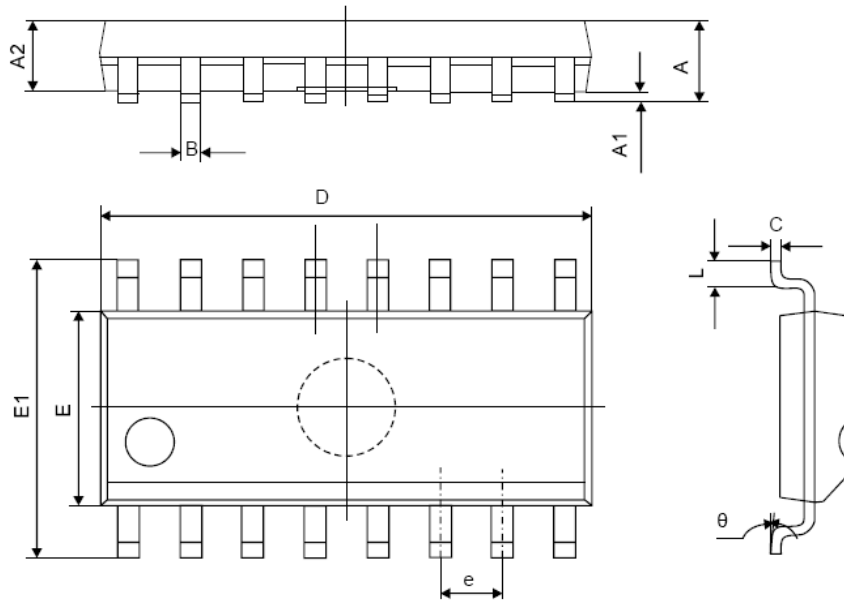
Part Number	Part Marking	Package Type	Standard Package
PAM8406DR	PAM8406 XATYWWLL	SOP-16	2500 Units/Tape&Reel
PAM8406ER	PAM8406 XATYWWLL	SOP-16(EP)	2500 Units/Tape&Reel

Marking Information



Package Outline Dimensions (All dimensions in mm.)

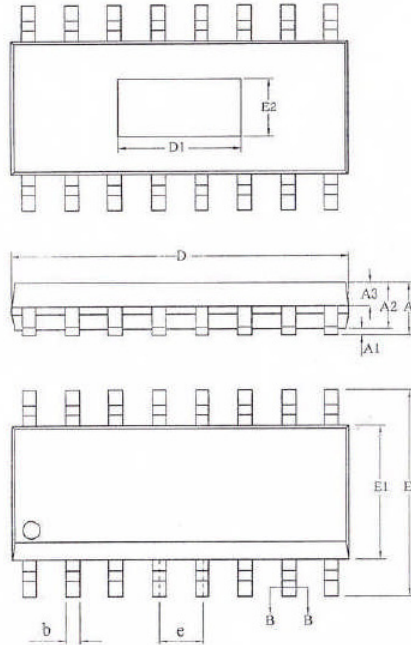
SOP-16



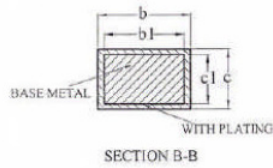
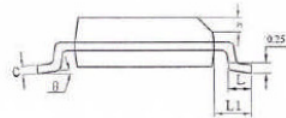
Symbol	Dimensions Millimeters	
	Min	Max
A	1.350	1.750
A1	0.100	0.250
A2	1.350	1.550
B	0.330	0.510
C	0.190	0.250
D	9.800	10.000
E	3.800	4.000
E1	5.800	6.300
e	1.270(TYP)	
L	0.400	1.270
θ	0°	8°

Package Outline Dimensions (All dimensions in mm.)

SOP-16(EP)



SYMBOL	MILLIMETER		
	MIN	NOM	MAX
A	—	—	1.75
A1	0.05	—	0.225
A2	1.30	1.40	1.50
A3	0.60	0.65	0.70
b	0.39	—	0.48
b1	0.38	0.41	0.43
c	0.21	—	0.26
c1	0.19	0.20	0.21
D	9.70	9.90	10.10
E	5.80	6.00	6.20
E1	3.70	3.90	4.10
e	1.27BSC		
h	0.25	—	0.50
L	0.50	—	0.80
L1	1.05BSC		
ø	0	—	ø
D1	3.86REF		
E2	1.67REF		
1. 平装尺寸 (mm)	95*180		



IMPORTANT NOTICE

DIODES INCORPORATED MAKES NO WARRANTY OF ANY KIND, EXPRESS OR IMPLIED, WITH REGARDS TO THIS DOCUMENT, INCLUDING, BUT NOT LIMITED TO, THE IMPLIED WARRANTIES OF MERCHANTABILITY AND FITNESS FOR A PARTICULAR PURPOSE (AND THEIR EQUIVALENTS UNDER THE LAWS OF ANY JURISDICTION).

Diodes Incorporated and its subsidiaries reserve the right to make modifications, enhancements, improvements, corrections or other changes without further notice to this document and any product described herein. Diodes Incorporated does not assume any liability arising out of the application or use of this document or any product described herein; neither does Diodes Incorporated convey any license under its patent or trademark rights, nor the rights of others. Any Customer or user of this document or products described herein in such applications shall assume all risks of such use and will agree to hold Diodes Incorporated and all the companies whose products are represented on Diodes Incorporated website, harmless against all damages.

Diodes Incorporated does not warrant or accept any liability whatsoever in respect of any products purchased through unauthorized sales channel. Should Customers purchase or use Diodes Incorporated products for any unintended or unauthorized application, Customers shall indemnify and hold Diodes Incorporated and its representatives harmless against all claims, damages, expenses, and attorney fees arising out of, directly or indirectly, any claim of personal injury or death associated with such unintended or unauthorized application.

Products described herein may be covered by one or more United States, international or foreign patents pending. Product names and markings noted herein may also be covered by one or more United States, international or foreign trademarks.

This document is written in English but may be translated into multiple languages for reference. Only the English version of this document is the final and determinative format released by Diodes Incorporated.

LIFE SUPPORT

Diodes Incorporated products are specifically not authorized for use as critical components in life support devices or systems without the express written approval of the Chief Executive Officer of Diodes Incorporated. As used herein:

A. Life support devices or systems are devices or systems which:

1. are intended to implant into the body, or
2. support or sustain life and whose failure to perform when properly used in accordance with instructions for use provided in the labeling can be reasonably expected to result in significant injury to the user.

B. A critical component is any component in a life support device or system whose failure to perform can be reasonably expected to cause the failure of the life support device or to affect its safety or effectiveness.

Customers represent that they have all necessary expertise in the safety and regulatory ramifications of their life support devices or systems, and acknowledge and agree that they are solely responsible for all legal, regulatory and safety-related requirements concerning their products and any use of Diodes Incorporated products in such safety-critical, life support devices or systems, notwithstanding any devices- or systems-related information or support that may be provided by Diodes Incorporated. Further, Customers must fully indemnify Diodes Incorporated and its representatives against any damages arising out of the use of Diodes Incorporated products in such safety-critical, life support devices or systems.

Copyright © 2012, Diodes Incorporated

www.diodes.com