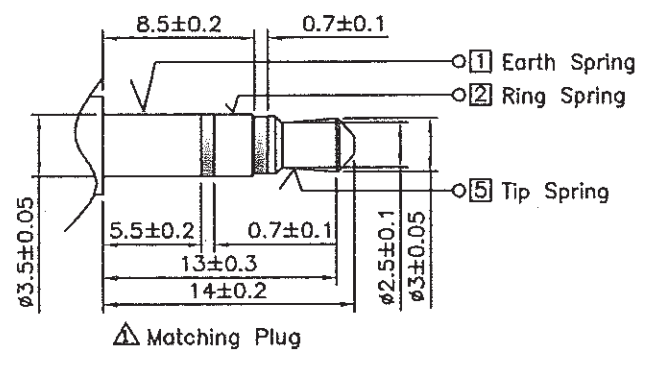
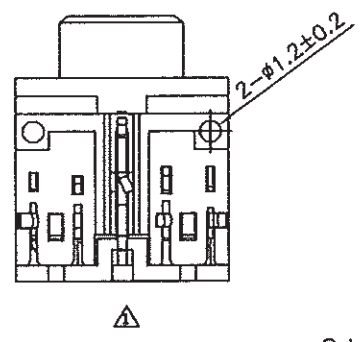


Recommended P.C.B. Layout  
(Copper-Sided View)

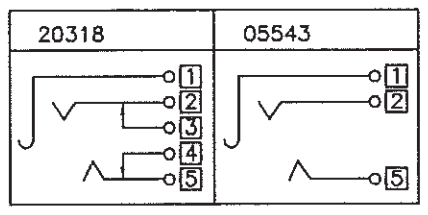
**△ SPECIFICATION**  
 Rating:DC 30V 0.5A  
 Withstand Voltage:500V AC  
 Contact Resistance:30 Milliohms Max.  
 After Test:50 Milliohms Max.  
 Insulation Resistance:100 Megaohms Min. (500V DC)  
 After Test:50 Megaohms Min.  
 Insertion And Extraction Force:3~30N  
 Life Test:5000 Cycles Min.  
 Operation Temperature Range:-20°C~+70°C  
 Preservative Temperature Range:-40°C~+85°C  
 RoHS Compliant



△ Matching Plug

- 1 Earth Spring
- 2 Ring Spring
- 5 Tip Spring

Schematic



No.	Description	Q'ty	Material	Remark
①	Housing	1	PBT	Black
②	Cover	1	PBT	Black
③	Earth Terminal	①	Phosphor Bronze	Tin Plated
④	Ring Spring	②	Phosphor Bronze	Tin Plated
⑤	Shunt Terminal	③	Brass	Tin Plated
⑥	Shunt Terminal	④	Brass	Tin Plated
⑦	Tip Spring	⑤	Phosphor Bronze	Tin Plated

□ :Terminal No.    ○ :Item No.

DRAWING No.		APPROVED BY		UNLESS OTHERWISE SPECIFIED TOLERANCES ARE					
05543		MEI		△ X, ±0.3 .X ±0.3 ANG. ±2°					
		CHECKED BY		DRAWING BY		A1 Modify Data		HZF 03/25/2010	
		HZF		QQJ		A0 NEW RELEASE		BECKY 10/20/2005	
SCALE	NONE	REV.	A1	UNIT	mm	NO.REV.	REVISIONS	CHK	DATE