

■ SPECIFICATIONS

- Current Rating : 3A AC/DC
- Withstanding Voltage : 1000V AC/minute
- Insulation Resistance : 1000MΩ min
- Temperature Range : 1.PBT -40°C ~ +85°C
2.Nylon 6T -25°C ~ +105°C
- Contact Resistance : 20mΩ max

4 ■ BOX HEADER

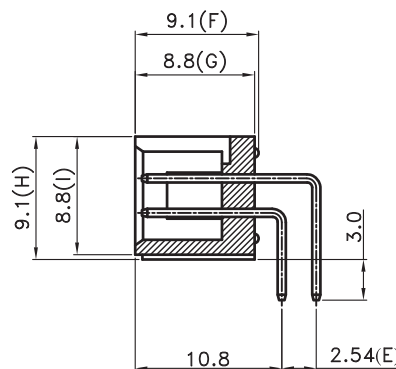
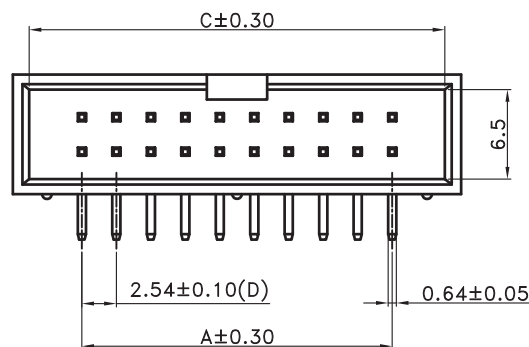
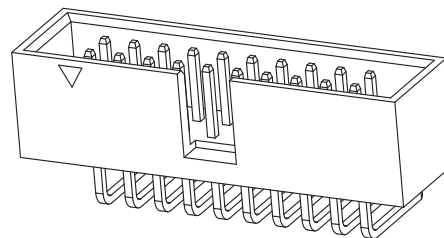
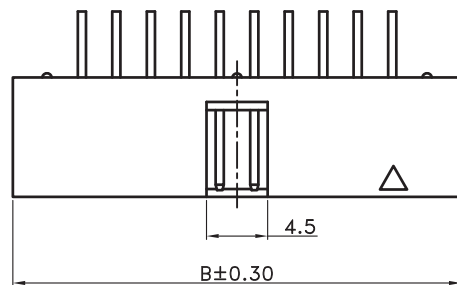
- Part No. : JS-1200R-XX (XX)

Poles No. →

Blank: PBT UL94V-0 →

6TNH: Nylon 6T UL94V-0, Halogen Free

- Poles : 6-64(DIP, Straight)
- Material : Contact : Brass, Gold Plated
Base : Refer the above narrative
- Q' ty : 1000 pcs./PVC Box



| Poles | Dimensions (mm) | | |
|-------|-----------------|-------|-------|
| | A | B | C |
| 6 | 5.08 | 15.24 | 12.94 |
| 8 | 7.62 | 17.78 | 15.48 |
| 10 | 10.16 | 20.32 | 18.02 |
| 12 | 12.70 | 22.86 | 20.56 |
| 14 | 15.24 | 25.40 | 23.10 |
| 16 | 17.78 | 27.94 | 25.64 |
| 20 | 22.86 | 33.02 | 30.72 |
| 24 | 27.94 | 38.10 | 35.80 |
| 26 | 30.48 | 40.64 | 38.34 |
| 30 | 35.56 | 45.72 | 43.42 |
| 34 | 40.64 | 50.80 | 48.50 |
| 40 | 48.26 | 58.42 | 56.12 |
| 44 | 53.34 | 63.50 | 61.20 |
| 50 | 60.96 | 71.12 | 68.82 |
| 60 | 73.66 | 83.82 | 81.52 |
| 64 | 78.74 | 88.90 | 86.60 |

PART NO JS-1200R-XX
2.54mm Box Headers DIP Type(Right Angle)

| SCALE | UNIT | TOLERANCE | NAME | DATE | LTR | REVISION RECORD | NAME | DATE |
|-------|---------|------------|------|------|-----|-----------------|------|------|
| | mm | .0 ±0.30 | | | | | | |
| PROJ | VER NO. | .00 ±0.20 | | | | | | |
| | | .000 ±0.10 | | | | | | |
| | a4 | ANGLE | | | | | | |
| DATE | SIZE | 0° ±1° | | | | | | |
| | A4 | .0° ± | | | | | | |
| | SHEET | 1/1 | | | | | | |

CUSTOMER
Conforms to The RoHS Instruction