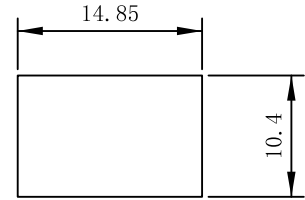
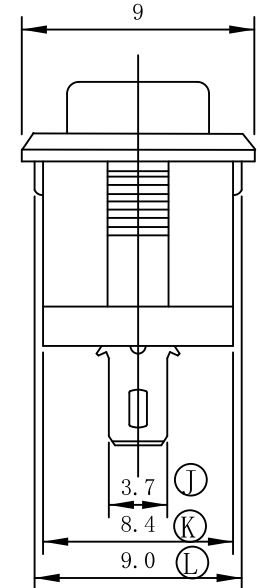
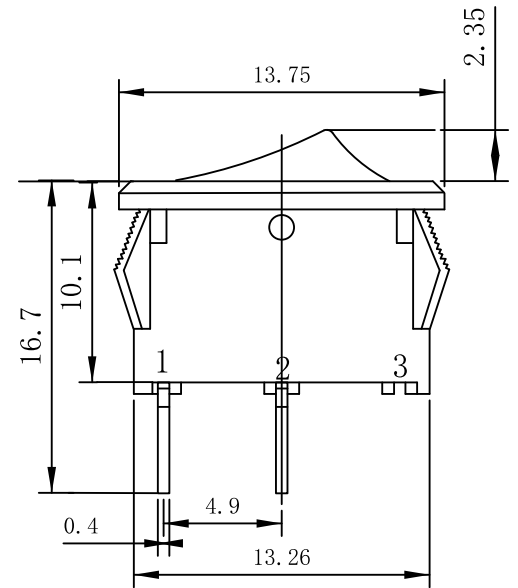


一般尺寸公差(mm)	.Xx	.X	X.	一般角度公差(°)	.X	X.
	±0.05	±0.10	±0.2		±0.5	±1

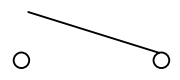
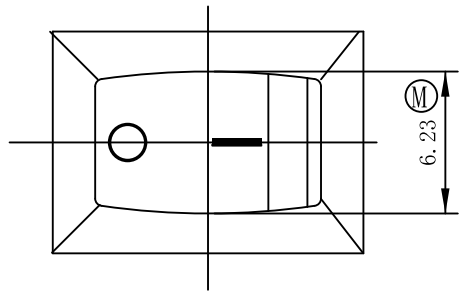
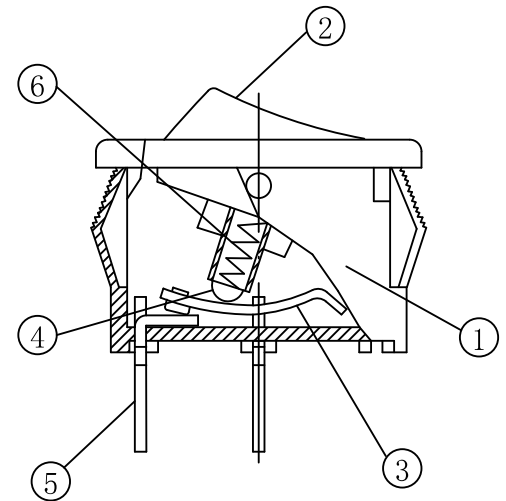


SPECIFICATION

—ELECTRICAL SPECIFICATION:  
a CONTACT CURRENT RATING:  
DC10V 125A/6A 250V  
UL CSA: 6/10A 250/125V~  
NEMKO DEMKO FIMKO SEMKO VDE CB:  
6A 250V~ 3A125AVC~  
CCEE: 12A/24A 250V~

PADEL HOLE SIZE

SIZE		
X	Y	Z
0.75-1.25	19.2 <sup>0</sup> <sub>-0.1</sub>	12.9 <sup>+0.1</sup> <sub>0</sub>
1.25-2	19.4 <sup>0</sup> <sub>-0.1</sub>	12.9 <sup>+0.1</sup> <sub>0</sub>



			6	Spring	1	Stainless steel wire	Zn plated
			5	Terminals	2	Silver plated copper	Silver plated
			4	Actuator tips	1	BRASS	
		PROS	3	Movable Contact	1	Silver plated copper	Silver plated
TYPE: 船型开关	MODEL NO: KCD1-11	VENDOR NO:	2	Base	1	PA66	BLACK
UNLT:MM 1:1.2	SHEET:	DWG NO:	1	Actuator	1	PA66	BLACK
DRAWN: 王引娣	CHECKED:	APPROVED:	NO	PRARTNAME	QTY	MNTERIAL	PLATING