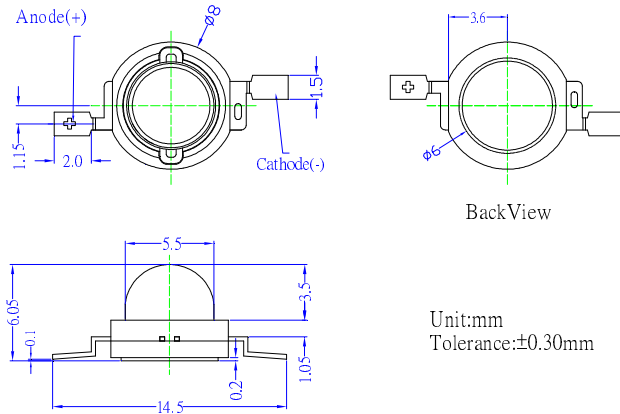


■Features

- Highest luminous flux
- Super energy efficiency
- Very long operating life
- Superior ESD protection

■Applications

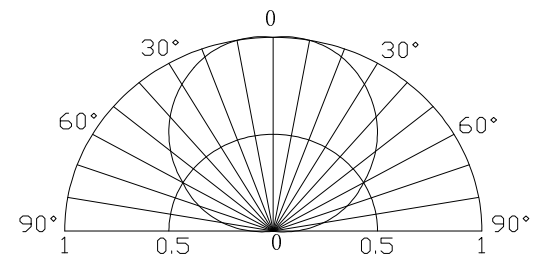
- Night Vision
- Camera
- Outdoor./Indoor applications

■Outline Dimension

■Absolute Maximum Rating

(Ta=25°C)

Item	Symbol	Value	Unit
DC Forward Current	I_F	1000	mA
Pulse Forward Current*	I_{FP}	2000	mA
Reverse Voltage	V_R	5	V
Power Dissipation	P_D	1700	mW
Operating Temperature	T_{opr}	-30 ~ +85	°C
Storage Temperature	T_{stg}	-40 ~ +100	°C
Lead Soldering Temperature	T_{sol}	260°C/5sec	-

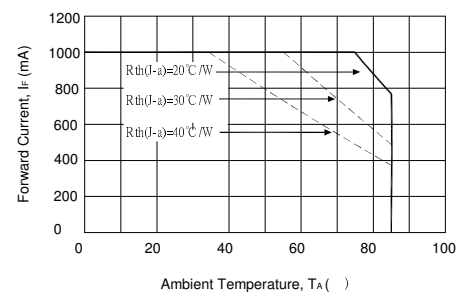
*Pulse width Max.10ms Duty ratio max 1/10

■Directivity

■Electrical -Optical Characteristics

(Ta=25°C)

Item	Symbol	Condition	Min.	Typ.	Max.	Unit
DC Forward Voltage	V_F	$I_F=350mA$	-	1.5	1.7	V
DC Reverse Current	I_R	$V_R=5V$	-	-	10	μA
Peak Wavelength	λ_p	$I_F=350mA$	-	850	-	nm
Radiant Power	P_O	$I_F=350mA$	110	-	-	mW
50% Power Angle	$2\theta_{1/2}$	$I_F=350mA$	-	120	-	deg

Note: Advises please attach heat sink to use if Power Dissipation is more than 0.5W.

■Forward Operating Current (DC)


■ Handling of Silicone Lens LEDs

Notes for handling of silicone lens LEDs

- Please do not use a force of over 3kgf impact or pressure on the silicone lens, otherwise it will cause a catastrophic failure.
- The LEDs should only be picked up by making contact with the sides of the LED body.
- Avoid touching the silicone lens especially by sharp tools such as Tweezers.
- Avoid leaving fingerprints on the silicone lens.
- Please store the LEDs away from dusty areas or seal the product against dust.
- When populating boards in SMT production, there are basically no restrictions regarding the form of the pick and place nozzle, except that mechanical pressure on the silicone lens must be prevented.
- Please do not mold over the silicone lens with another resin. (epoxy, urethane, etc)

