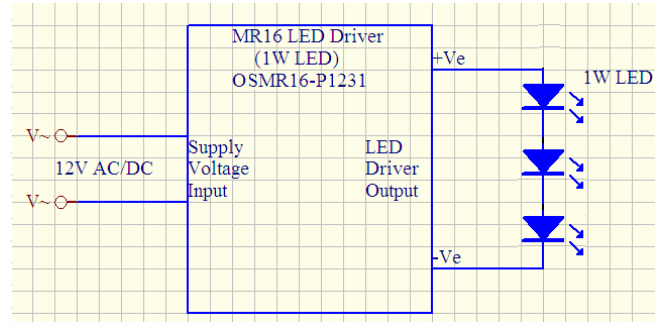
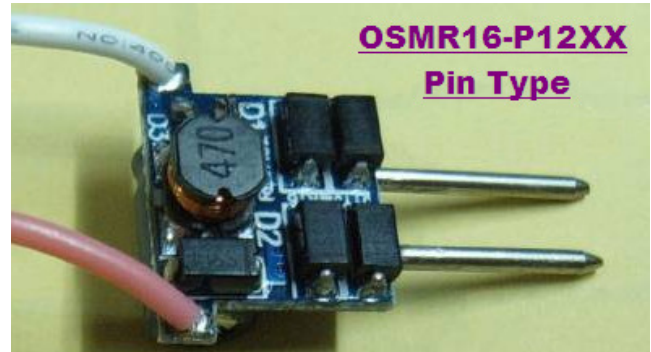


### Features:

- Design for MR16 to replace halogen lamp
- Slim Size with T-shape 18mm(13.8mm) (Length)\* 13mm (Width) (not include 14mm  $\phi$  1.5mm G5.3 input pins) \* 13mm (Height for both side components)
- Suitable for 3pcs 1W LED
- Self adapting output voltage to suit for wide range Vf LED (Vf = 3..3V typ.).
- Input voltage suitable for 12V AC / DC
- Constant 300mA output current to drive LEDs
- Output short circuit protection
- Self over temperature protection
- High conversion efficient (up to 90%)
- Weight 3g approximate



### Maximum Rating:

Parameter	Symbol	Value	Units
Supply Voltage	$V_{in}$	15VAC, / DC	V
Max Operation Current	$I_{max}$	1	A
Operation Temperature Range	$T_{op}$	-10 to 50	°C
Storage Temperature	$T_{stg}$	-20 to 85	°C

### Electrical Characteristics (@TA=25°C):

Parameter	Symbol	Min	Typ	Max	Units
Supply Voltage - DC	$V_{in-dc}$	11	12	15	V
Supply Voltage - AC	$V_{in-ac}$	11	12	15	V
Input Frequency – AC supply	$f_{in}$	47		50k	Hz
Output Current	$I_{op}$	260	300	340	mA