

Model No.	OSPR3XX3- XXXME1C1E
REV.	C1

Xeon Power 3W LED Module

Descriptions:

- Green light source, fast response
- Long life, easy installation
- LED model number: XXXME1C1E

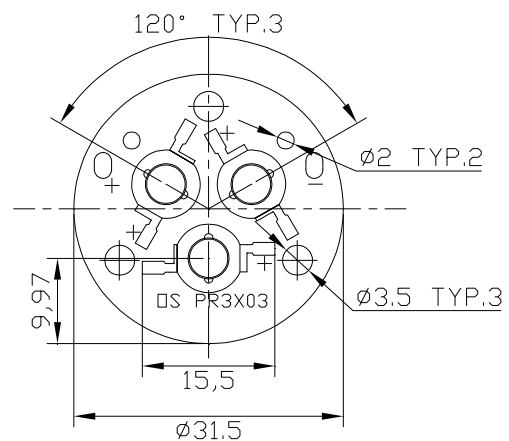
Features:

- Available in red, yellow, green, blue, white
- Super Bright
- Big Emitting Angle
- Superior ESD Protection
- Superior UV Resistance
- Can be equipped with lens: OS-OLTX3525X

Application:

- Small Space Lighting
- Mechanical equipment lights

Product Picture and Dimensions:



Unit:mm

Model No.	OSPR3XX3- XXXME1C1E
REV.	C1

Device Selection Guide

Module No.	Color	Wavelength (Typ.)	Overall Luminous Flux / module
R5XME1C1E	Red	625 nm	150lm
G5XME1C1E	Green	525 nm	225lm
B5XME1C1E	Blue	470 nm	45lm
Y5XME1C1E	Yellow	590 nm	150lm
W4XME1C1E	White	6500K	300lm
M5XME1C1E	Warm White	3000K	270lm

Absolute Maximum Ratings(Ta=25°C)

Items	Symbol	Values	Units
Operating supply range(DC)	V _{idc} (B, W, G)	12	V
	V _{idc} (R, Y)	9	
Input Current (DC)	I _i	400	mA
Power Dissipation	P _a (B, W, G)	4.8	W
	P _a (R, Y)	3.6	
Operating Temperature	T _{ope}	-10 ~ +40	DegC
Storage Temperature	T _{stg}	-20 ~ +80	DegC

Typical Performance (Ta=25°C)

Items	Symbol	Min.	Typ.	Max.	Units
LED Module Power	P _m (B, W, G)	-	3.5	4.8	W
	P _m (R, Y)		2.625	3.6	
Input Voltage(DC)	V _i (B, W, G)	-	10	12	V
	V _i (R, Y)		7.5	9	
Product input Current	I _f	-	350	400	mA
Beam Pattern	BP	-	120	-	Deg
Total diameter of PCB	L _{mod.}	-	31.5	-	mm
Net Weight	Wei.	---	5	---	g