

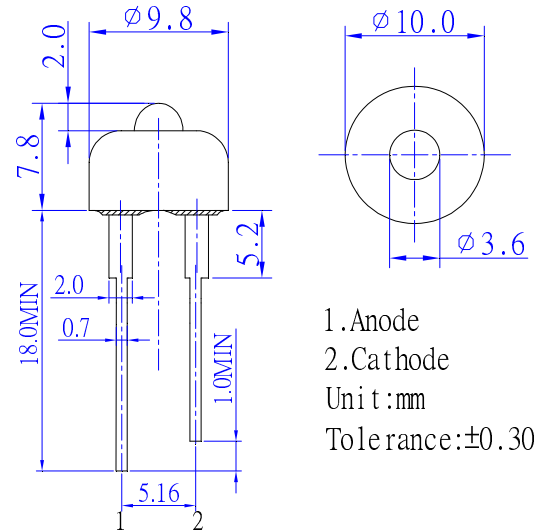
■ Features

- High Luminous LEDs
- 10mm Standard Directivity
- Superior Weather-resistance
- UV Resistant Epoxy
- Water Clear Type

■ Applications

- Signage and channel letter
- Decorating and entertainment lighting
- Architectural lighting
- Outdoor/Indoor applications/Other Lighting

■ Outline Dimension



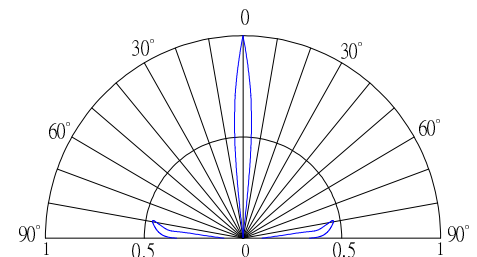
1. Anode
2. Cathode
Unit : mm
Tolerance : ±0.30mm

■ Absolute Maximum Rating

(Ta=25°C)

Item	Symbol	Value		Unit
		B/PG	Y/R	
DC Forward Current	I _F	150	150	mA
Pulse Forward Current*	I _{FP}	200	200	mA
Reverse Voltage	V _R	5	5	V
Power Dissipation	P _D	144	130	mW
Operating Temperature	T _{opr}	-30 ~ +85		°C
Storage Temperature	T _{stg}	-30 ~ +85		°C
Lead Soldering Temperature	T _{sol}	260°C/5sec		-

■ Directivity



■ Electrical -Optical Characteristics (Ta=25°C)

Part Number	Color		V _F (V)*			I _v (mcd)*			λ _D (nm)*			2θ1/2(deg)
			Min.	Type.	Max.	Min.	Typ.	Max.	Min.	Typ.	Max.	Typ.
			I _F = 120mA			I _F = 120mA						
OSB5XAAC11U	Blue	B	3.0	3.3	3.6	60,000	70,000	-	465	470	475	12
OSG5XAAC11U	Pure Green	PG	2.8	3.3	3.6	150,000	200,000	-	520	525	530	12
OSY5XAAC11U	Yellow	Y	2.0	2.3	2.6	90,000	120,000	-	585	590	595	12
OSR5XAAC11U	Red	R	2.0	2.3	2.6	90,000	120,000	-	620	625	630	12

*1 Dominant wavelength Measurement allowance is ±1nm

*2 Luminous intensity Measurement allowance is ±15%