

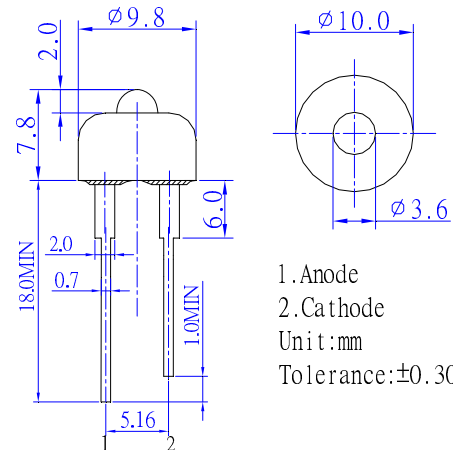
■ **Features**

- High Luminous LEDs
- 10mm Round Standard Directivity
- Superior Weather-resistance
- UV Resistant Epoxy
- Water Clear Type

■ **Applications**

- Signage and channel letter
- Decorating and entertainment lighting
- Architectural lighting
- Outdoor/Indoor applications/Other Lighting
- Electric torch

■ **Outline Dimension**

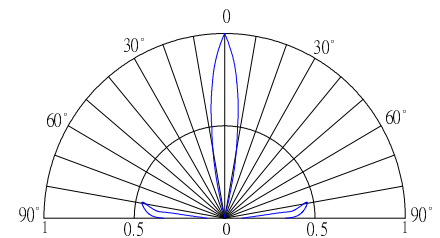


■ **Absolute Maximum Rating**

(Ta=25°C)

Item	Symbol	Value	Unit
DC Forward Current	I _F	150	mA
Pulse Forward Current*	I _{FP}	200	mA
Reverse Voltage	V _R	5	V
Power Dissipation	P _D	540	mW
Operating Temperature	Topr	-30 ~ +85	°C
Storage Temperature	Tstg	-30~ +85	°C
Lead Soldering Temperature	Tsol	260°C/5sec	-

■ **Directivity**



■ **Electrical -Optical Characteristics** (Ta=25°C)

Part Number	Color		V _F (V)*			I _v (lm)*			CCT(K)*			2θ1/2(deg)
			Min.	Type.	Max.	Min.	Typ.	Max.	Min.	Typ.	Max.	Typ.
			I _F = 120mA			I _F = 120mA						
OSM5XAAC21U	Warm White	M5	2.8	3.3	3.6	40	45	-	2500	3000	3500	17
OSW4XAAC21U	Pure White	W4	2.8	3.3	3.6	43	48	-	5500	6500	8000	17
OSW5XAAC21U	Cool White	W5	2.8	3.3	3.6	40	45	-	8000	10000	17000	17

*1 Dominant wavelength Measurement allowance is ±1nm

*2 Luminous intensity Measurement allowance is ±15%