

# 16mm Metal Shaft Rotary Potentiometer

**16K4**



## Part Number

**16K4 – B 10K, L- 20 KC**

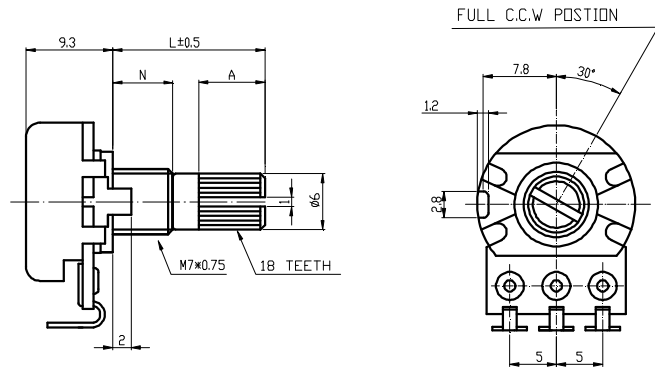
Taper

Shaft Length

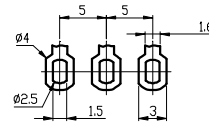
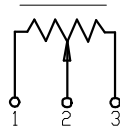
Resistance value

Shaft Type

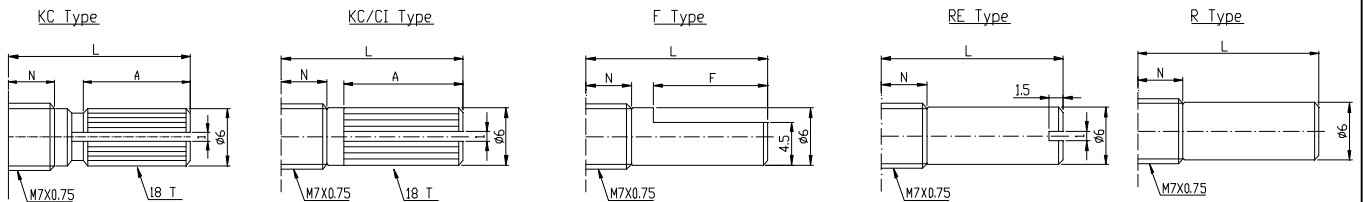
## Dimensions



### CIRCUIT



## Shaft Type



|            |   | N=6.5mm |     |     |      |      |    |    |    |  |
|------------|---|---------|-----|-----|------|------|----|----|----|--|
| Shaft Type | L | 10      | 15  | 17  | 20   | 25   | 30 | 35 | 40 |  |
| KC         | A | 2.2     | 6   | 8   | 10   | 12   | 12 | 12 | 12 |  |
|            | M | 0.5     | 1   | 1   | 2    | 2    | 4  | 4  | 4  |  |
| KC/CI      | A | 1.5     | 6.5 | 8.5 | 11.5 | 16.5 | 19 |    |    |  |
| F          | F | 2.5     | 7   | 7   | 12   | 12   | 12 | 12 | 12 |  |
| R,RE       | L | 10      | 15  | 17  | 20   | 25   | 30 | 35 | 40 |  |

|            |   | N=5mm |    |    |    |    |    |    |    |    |
|------------|---|-------|----|----|----|----|----|----|----|----|
| Shaft Type | L | 10    | 12 | 15 | 17 | 20 | 25 | 30 | 35 | 40 |
| KC         | A | 3.2   |    | 6  | 8  | 12 | 12 | 12 | 12 | 12 |
|            | M | 0.5   |    | 1  | 1  | 2  | 2  | 4  | 4  | 4  |
| KC/CI      | A | 1.5   | 5  | 8  | 10 | 13 |    |    |    |    |
| F          | F | 4     | 4  | 7  | 7  | 12 | 12 | 12 | 12 | 12 |
| R,RE       | L | 10    |    | 15 | 17 | 20 | 25 | 30 | 35 | 40 |

## 16mm Metal Shaft Rotary Potentiometer

### General

|                       |                 |
|-----------------------|-----------------|
| Operating temperature | -10 °C ~ +70 °C |
| Manual soldering      | 300 °C Max 3sec |

### Electrical Characteristics 電気特性

|                        |   |
|------------------------|---|
| Total resistance       | 500Ω~2MΩ  |
| Resistance tolerance   | ±20% (more than 1MΩ ±30%)                         |
| Resistance taper       | A B C W MN  |
| Sliding noise          | Less than 47 mV                                   |
| Residual resistance    | ≤ 20 Ω (R > 10K)<br>≤ 10 Ω (R ≤ 10K)              |
| Insulation resistance  | More than 100 MΩ at DC 500 V                      |
| Rated power(W)         | Linear (B) taper : 0.125 W<br>Other taper : 0.06W |
| Max. Operating voltage | Linear (B) taper : 200 V<br>Other taper : 150 V   |
| Withstand voltage      | 1 Minute at AC 500 V                              |

### Mechanical Characteristics

|                             |               |
|-----------------------------|---------------|
| Total rotational angle      | 300 °±5 °     |
| Rotational torque           | 30~200 gf.cm  |
| C.C torque                  | 100~350gf.cm  |
| Rotational stopper strength | 8 Kgf.cm Max. |
| Shaft push-pull strength    | 7 Kgf. Max.   |
| Rotational life             | 15,000 Cycles |