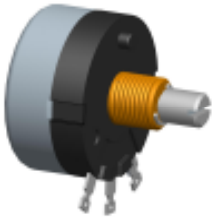


# 28mm Wire Wound Potentiometer

**RA28Y**



**Part Number**

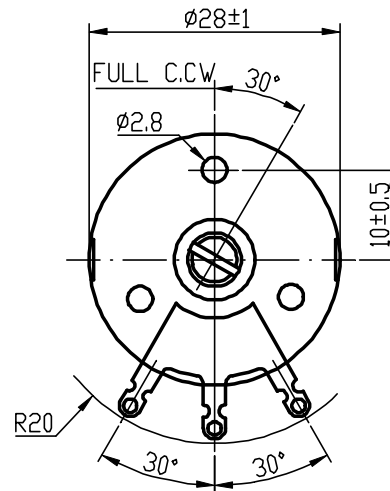
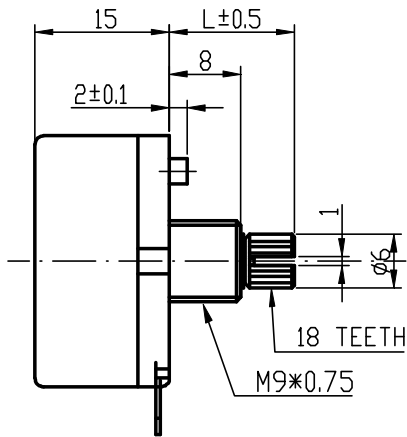
**RA28Y – 10K, L- 15 RE**

Resistance value

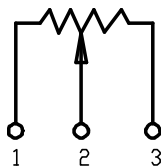
Shaft Length

Shaft Type

## Dimensions



CIRCUIT



F	15	
KC	15	
RE	20	20

## 28mm Wire Wound Potentiometer

### General

<b>Operating temperature</b>	<b>- 10°C~ + 70°C</b>
<b>Manual soldering</b>	<b>300°C Max 3sec</b>

### Electrical Characteristics

<b>Total resistance</b>	<b>5 Ω ~3K Ω</b>	
<b>Resistance tolerance</b>	<b>±20%</b>	
<b>Resistance taper</b>	<b>B</b>	
<b>Sliding noise</b>	<b>80mV Max</b>	
<b>Rated power(W)</b>	<b>1.5W</b>	
<b>Insulation resistance</b>	<b>100MΩ at DC 500V</b>	
<b>Residual resistance</b>	<b>4 ~ 50 Ω Less than 0.5 Ω</b>	<b>101 ~ 500 Ω Less than 2 Ω</b>
	<b>51 ~ 100 Ω Less than 1 Ω</b>	<b>1K ~ 5K Ω Less than 2% Ω</b>
<b>Withstand voltage</b>	<b>1mlnute at AC1000V 50HZ</b>	

### Mechanical Characteristics

<b>Total rotational angle</b>	<b>300°±5 °</b>
<b>Rotational torque</b>	<b>30~300gf.cm</b>
<b>Rotational topper strength</b>	<b>5Kgf.cm max / 3sec</b>
<b>Shaft push-pull strength</b>	<b>10Kgf.cm max. / 3sec</b>
<b>Rotational life</b>	<b>15,000 Cycles</b>