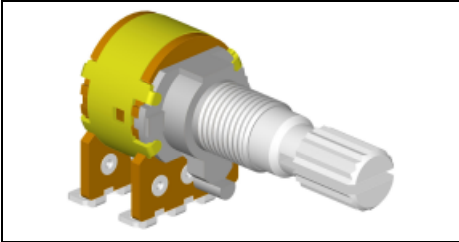


# 12mm Metal Shaft Rotary Potentiometers

**RK1233G2**



**Part Number**

**RK1233G2 – B 50K , L- 20 KC**

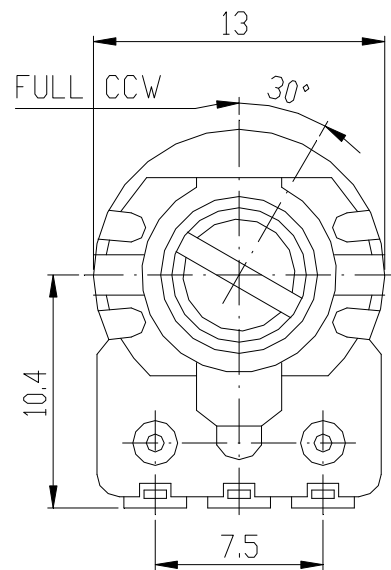
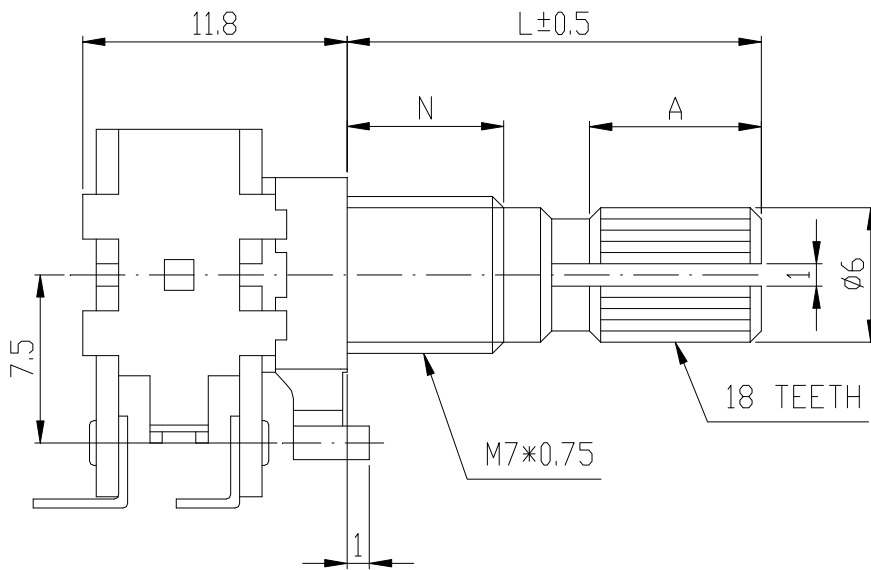
Taper

Shaft Length

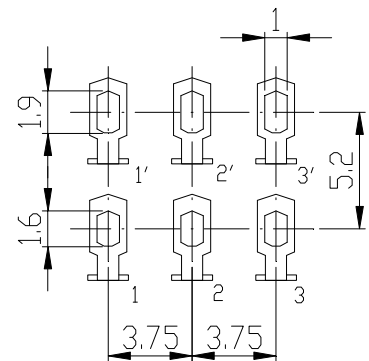
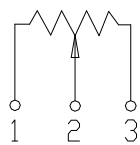
Resistance value

Shaft Type

## Dimensions



CIRCUIT

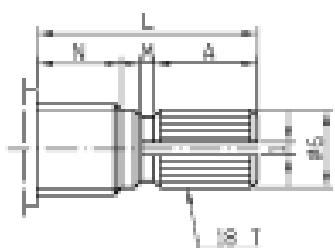
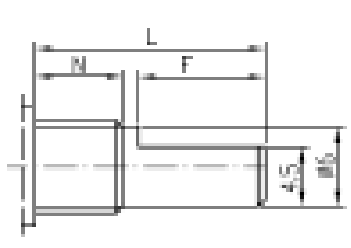


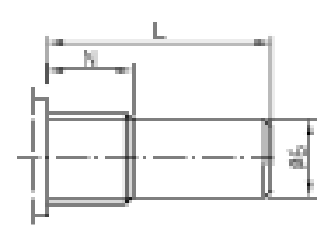
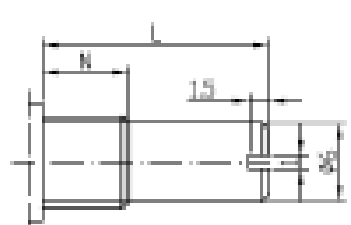
## 12mm Metal Shaft Rotary Potentiometers

### Shaft Type

**N=5mm**

**N=7mm**

KC Type					F Type				
									
<b>L</b>	15	20	25	30	<b>L</b>	15	20	25	
<b>A</b>	6	10	12	12	<b>F</b>	7	12	12	
<b>M</b>	1	2	2	4	-				

R Type					RE Type				
									
<b>L</b>	15	20	25	30	<b>L</b>	15	20	25	30

## 12mm Metal Shaft Rotary Potentiometers

### General

Operating temperature	-10 °C ~ +70 °C
Manual soldering	300 °C Max 3sec

### Electrical Characteristics

Total resistance	1K $\Omega$ ~ 500K $\Omega$
Resistance tolerance	$\pm 20\%$
Resistance taper	A B C D W
Sliding noise	Less than 47 mV
Residual resistance	R > 10K : 20 $\Omega$ R $\leq$ 10K : 10 $\Omega$
Insulation resistance	More than 100M $\Omega$ at DC 500V
Rated power(W)	Linear (B) taper : 0.1W    Other taper : 0.05W
Max. Operating voltage	30V AC / DC
Withstand voltage	1 Minute at AC 300 V
Gang error	0dB ~ -40dB $\leq$ 3dB

### Mechanical Characteristics

Total rotational angle	300° $\pm$ 10°
Rotational torque	20 ~ 200 gf.cm
Shaft push-pull strength	8Kgf. Max
Rotational stopper strength	3Kgf.cm Min
Rotational life	15,000 Cycles.