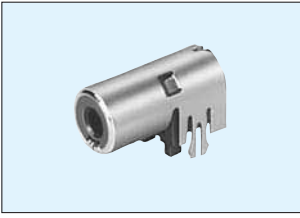
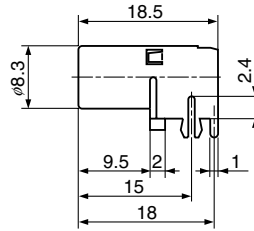
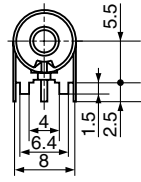


JPJ0545 Series

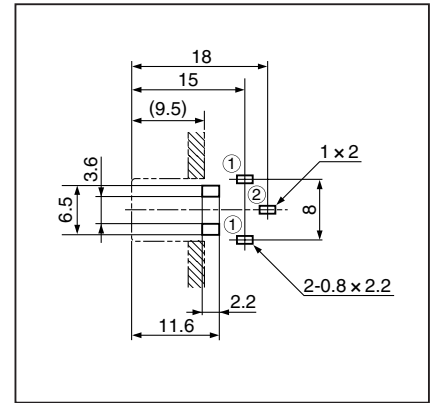
h = 5.5 mm



JPJ0545



P.C. Board Thickness=1

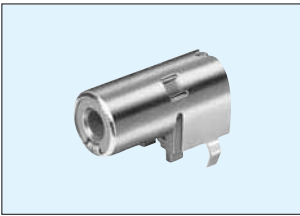


Hole Layout
(Bottom View)

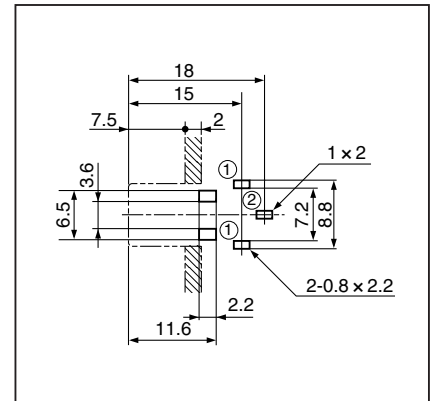
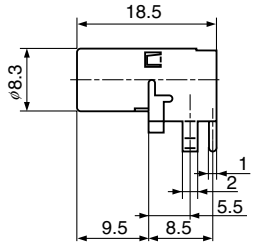
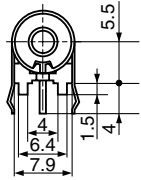
回路図 Schematic	ボディ色調 Housing Color	カバー / Cover Ni Plated
	Black	JPJ0545-01-210
	Red	JPJ0545-01-220
	White	JPJ0545-01-230
	Yellow	JPJ0545-01-240

JPJ2545 Series

h = 5.5 mm



JPJ2545

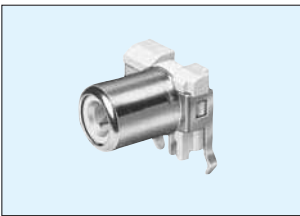


Hole Layout
(Bottom View)

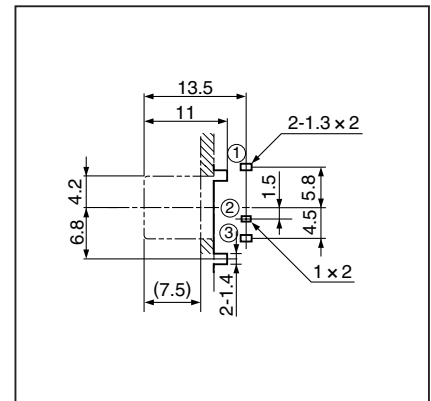
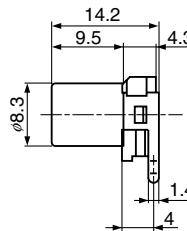
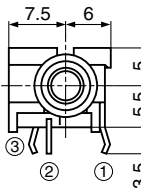
回路図 Schematic	ボディ色調 Housing Color	カバー / Cover	
		Ni Plated	Au Plated
	Black	JPJ2545-01-510	JPJ2548-01-010
	Red	JPJ2545-01-520	JPJ2548-01-020
	White	JPJ2545-01-530	JPJ2548-01-030
	Yellow	JPJ2545-01-540	JPJ2548-01-040
	Blue	JPJ2545-01-550	JPJ2548-01-050

JPJ1002 Series

h = 5.5 mm



JPJ1002



Hole Layout
(Bottom View)

回路図 Schematic	カバー / Cover			
	Ni Plated	Au Plated		
	Ni Plated	Ni Plated		
	Ni Plated	Ni Plated		
	Black	JPJ2039-01-010	JPJ2039-01-810	JPJ1002-01-510
	Red	JPJ2039-01-020	JPJ2039-01-820	JPJ1002-01-520
	White	JPJ2039-01-030	JPJ2039-01-830	JPJ1002-01-530
	Yellow	JPJ2039-01-040	JPJ2039-01-840	JPJ1002-01-540
	Blue	JPJ2039-01-050	JPJ2039-01-850	JPJ1002-01-550