

TOSHIBA Bipolar Linear Integrated Circuit Silicon Monolithic

**TA48018F, TA4802F, TA48025F, TA4803F, TA48033F, TA4805F,  
TA48018S, TA4802S, TA48025S, TA4803S, TA48033S, TA4805S**

1.8 V, 2 V, 2.5 V, 3 V, 3.3 V, 5 V

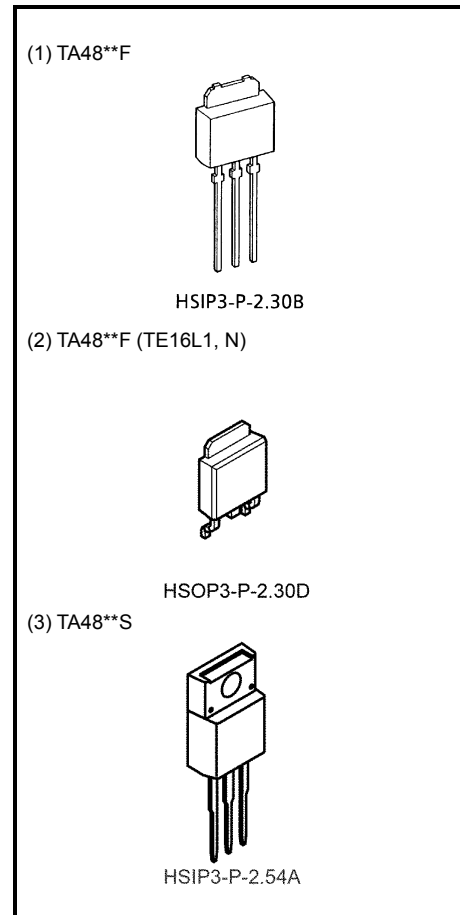
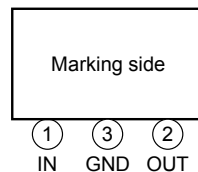
Three-Terminal Low Dropout Voltage Regulator with Output Current of 1 A

The TA48\*\*F/S series consists of fixed-positive-output, low-dropout regulators with an output current of 1 A (max) that utilize V-PNP transistors for the output stage. In response to the need for low-voltage and low-power dissipation devices which are used in consumer electronics and industrial appliances, the series offers devices with low output voltages: 1.8 V, 2 V, 2.5 V, 3 V, 3.3 V, 5 V.

## Features

- Maximum output current: 1 A
- Output voltage accuracy:  $V_{OUT} \pm 3\%$  ( $@T_j = 25^\circ\text{C}$ )
- Low standby current: 800  $\mu\text{A}$  (typ.) ( $@I_{OUT} = 0\text{ A}$ )
- Low starting quiescent current
- Low-dropout voltage:  $V_D = 0.5\text{ V}$  (max) ( $@I_{OUT} = 0.5\text{ A}$ )
- Protection function: overheat/overcurrent
- Package type: PW-MOLD (TA48\*\*F Series)  
TO-220NIS (TA48\*\*S Series)
- TA48\*\*F Series has a lead bending type package which is a surface-mountable package and can be used for reflow soldering.

## Pin Assignment



Weight

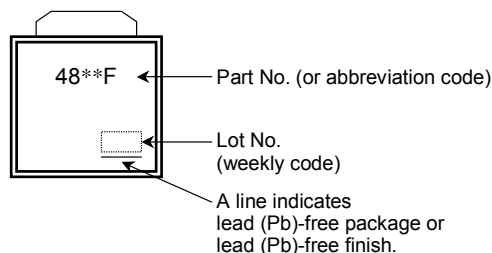
HSIP3-P-2.30B : 0.36 g (typ.)

HSOP3-P-2.30D : 0.36 g (typ.)

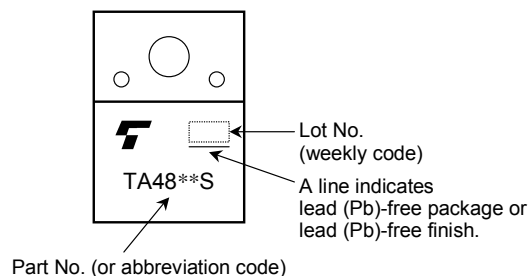
HSIP3-P-2.54A : 1.7 g (typ.)

## Marking

(1) (2) TA48F\*\* Series



(3) TA48\*\*S Series

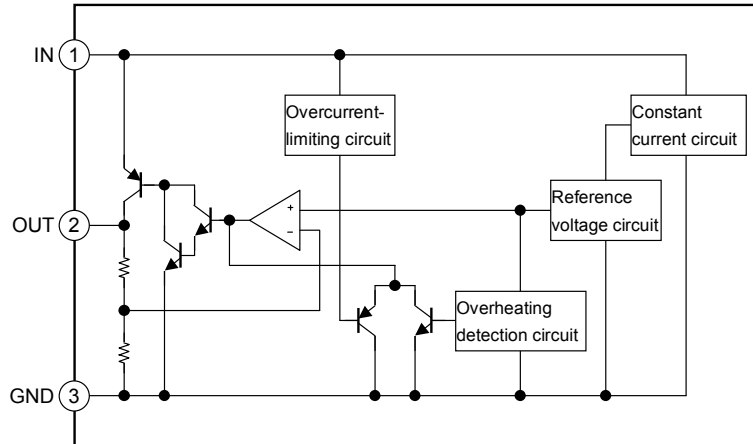


Note: The “\*\*” part of each product number varies according to the output voltage of the product.

## How to Order

	Product No.	Package	Packing Type and Unit for Orders
(1)	TA48**F	PW-MOLD: Straight-lead package	Loose in bag: 200 (1 bag)
(2)	TA48**F (TE16L1, N)	PW-MOLD: Surface-mount package	Embossed-tape packing: 2000 (1 tape)
(3)	TA48**S	TO-220NIS	Loose in bag: 50 (1 bag)

## Block Diagram



## Maximum Ratings (Ta = 25°C)

Characteristic		Symbol	Rating	Unit
Input voltage		$V_{IN}$	16	V
Output current		$I_{OUT}$	1	A
Operating temperature		$T_{a (opr)}$	-40~85	°C
Junction temperature		$T_j$	150	°C
Storage temperature		$T_{stg}$	-55~150	°C
Power dissipation (Ta = 25°C)	TA48**F	$P_D$	1	W
	TA48**S		2	
Power dissipation (Tc = 25°C)	TA48**F	$P_D$	10	W
	TA48**S		20	
Thermal resistance (junction to ambient)	TA48**F	$R_{th (j-a)}$	125	°C/W
	TA48**S		62.5	
Thermal resistance (junction to case)	TA48**F	$R_{th (j-c)}$	12.5	°C/W
	TA48**S		6.25	

Note 1: External current and voltage ((including negative voltage) should not be applied to pins not specified.

## Protection Function (reference)

Characteristics	Symbol	Test Condition	Min	Typ.	Max	Unit
Thermal shutdown	$T_{SD} (T_j)$	—	—	160	—	°C
Peak circuit current	$I_{PEAK}$	$V_{IN} = V_{OUT} + 2 V, T_j = 25^\circ C$	—	1.7	—	A
		$V_{IN} = 12 V, T_j = 25^\circ C$	—	1.8	—	
Short circuit current	$I_{SC}$	$V_{IN} = V_{OUT} + 2 V, T_j = 25^\circ C$	—	1.7	—	A
		$V_{IN} = 12 V, T_j = 25^\circ C$	—	1.8	—	

Note 2: The maximum ratings should not be exceeded when the IC is actually used.

## TA48018F/S

### Electrical Characteristics

(Unless otherwise specified  $C_{IN} = 0.33 \mu F, C_{OUT} = 10 \mu F, T_j = 25^\circ C$ )

Characteristics	Symbol	Test Conditions	Min	Typ.	Max	Unit
Output voltage	$V_{OUT}$	$V_{IN} = 3.8 V, I_{OUT} = 0.5 A$	1.746	1.8	1.854	V
		$2.8 V \leq V_{IN} \leq 12 V, 5 mA \leq I_{OUT} \leq 1 A, 0^\circ C \leq T_j \leq 125^\circ C$	1.72	1.8	1.88	
Line regulation	Reg·line	$2.8 V \leq V_{IN} \leq 12 V, I_{OUT} = 0.5 A$	—	5	20	mV
Load regulation	Reg·load	$V_{IN} = 3.8 V, 5 mA \leq I_{OUT} \leq 1 A$	—	5	20	mV
Quiescent current	$I_B$	$2.8 V \leq V_{IN} \leq 12 V, I_{OUT} = 0 A$	—	0.8	1.8	mA
		$2.8 V \leq V_{IN} \leq 12 V, I_{OUT} = 1 A$	—	10	20	
Starting quiescent current	$I_{Bstart}$	$V_{IN} = 2.1 V, I_{OUT} = 0 A$	—	0.7	5	mA
		$V_{IN} = 2.5 V, I_{OUT} = 1 A$	—	10	30	
Output noise voltage	$V_{NO}$	$V_{IN} = 3.8 V, I_{OUT} = 50 mA$ $10 Hz \leq f \leq 100 kHz$	—	75	—	$\mu V_{rms}$
Ripple rejection	R.R.	$2.8 V \leq V_{IN} \leq 12 V, I_{OUT} = 50 mA$ $f = 120 Hz$	54	70	—	dB
Dropout voltage	$V_D$	$I_{OUT} = 0.5 A$	—	0.3	0.5	V
		$I_{OUT} = 1 A$	—	0.7	—	
Average temperature coefficient of output voltage	$T_{CVO}$	$V_{IN} = 3.8 V, I_{OUT} = 5 mA,$ $0^\circ C \leq T_j \leq 125^\circ C$	—	0.15	—	$mV/^\circ C$

**TA4802F/S**

**Electrical Characteristics**

(Unless otherwise specified,  $C_{IN} = 0.33 \mu F$ ,  $C_{OUT} = 10 \mu F$ ,  $T_j = 25^\circ C$ )

Characteristics	Symbol	Test Conditions	Min	Typ.	Max	Unit
Output voltage	$V_{OUT}$	$V_{IN} = 4.0 V, I_{OUT} = 0.5 A$	1.94	2.0	2.06	V
		$3.0 V \leq V_{IN} \leq 12 V, 5 mA \leq I_{OUT} \leq 1 A, 0^\circ C \leq T_j \leq 125^\circ C$	1.91	2.0	2.09	
Line regulation	Reg·line	$3.0 V \leq V_{IN} \leq 12 V, I_{OUT} = 0.5 A$	—	5	20	mV
Load regulation	Reg·load	$V_{IN} = 4.0 V, 5 mA \leq I_{OUT} \leq 1 A$	—	5	20	mV
Quiescent current	$I_B$	$3.0 V \leq V_{IN} \leq 12 V, I_{OUT} = 0 A$	—	0.8	1.8	mA
		$3.0 V \leq V_{IN} \leq 12 V, I_{OUT} = 1 A$	—	10	20	
Starting quiescent current	$I_{Bstart}$	$V_{IN} = 2.1 V, I_{OUT} = 0 A$	—	0.7	5	mA
		$V_{IN} = 2.6 V, I_{OUT} = 1 A$	—	10	30	
Output noise voltage	$V_{NO}$	$V_{IN} = 4.0 V, I_{OUT} = 50 mA$ $10 Hz \leq f \leq 100 kHz$	—	80	—	$\mu V_{rms}$
Ripple rejection	R.R.	$3.0 V \leq V_{IN} \leq 12 V, I_{OUT} = 50 mA$ $f = 120 Hz$	52	68	—	dB
Dropout voltage	$V_D$	$I_{OUT} = 0.5 A$	—	0.3	0.5	V
		$I_{OUT} = 1 A$	—	0.6	—	
Average temperature coefficient of output voltage	$T_{CVO}$	$V_{IN} = 4.0 V, I_{OUT} = 5 mA,$ $0^\circ C \leq T_j \leq 125^\circ C$	—	0.18	—	$mV/^\circ C$

**TA48025F/S**

**Electrical Characteristics**

(Unless otherwise specified,  $C_{IN} = 0.33 \mu F$ ,  $C_{OUT} = 10 \mu F$ ,  $T_j = 25^\circ C$ )

Characteristics	Symbol	Test Conditions	Min	Typ.	Max	Unit
Output voltage	$V_{OUT}$	$V_{IN} = 4.5 V, I_{OUT} = 0.5 A$	2.425	2.5	2.575	V
		$3.5 V \leq V_{IN} \leq 12 V, 5 mA \leq I_{OUT} \leq 1 A, 0^\circ C \leq T_j \leq 125^\circ C$	2.388	2.5	2.612	
Line regulation	Reg·line	$3.5 V \leq V_{IN} \leq 12 V, I_{OUT} = 0.5 A$	—	5	20	mV
Load regulation	Reg·load	$V_{IN} = 4.5 V, 5 mA \leq I_{OUT} \leq 1 A$	—	5	20	mV
Quiescent current	$I_B$	$3.5 V \leq V_{IN} \leq 12 V, I_{OUT} = 0 A$	—	0.8	1.8	mA
		$3.5 V \leq V_{IN} \leq 12 V, I_{OUT} = 1 A$	—	10	20	
Starting quiescent current	$I_{Bstart}$	$V_{IN} = 2.1 V, I_{OUT} = 0 A$	—	0.9	5	mA
		$V_{IN} = 2.65 V, I_{OUT} = 1 A$	—	12	30	
Output noise voltage	$V_{NO}$	$V_{IN} = 4.5 V, I_{OUT} = 50 mA$ $10 Hz \leq f \leq 100 kHz$	—	95	—	$\mu V_{rms}$
Ripple rejection	R.R.	$3.5 V \leq V_{IN} \leq 12 V, I_{OUT} = 50 mA$ $f = 120 Hz$	52	68	—	dB
Dropout voltage	$V_D$	$I_{OUT} = 0.5 A$	—	0.3	0.5	V
		$I_{OUT} = 1 A$	—	0.4	—	
Average temperature coefficient of output voltage	$T_{CVO}$	$V_{IN} = 4.5 V, I_{OUT} = 5 mA,$ $0^\circ C \leq T_j \leq 125^\circ C$	—	0.24	—	$mV/^\circ C$

**TA4803F/S**

**Electrical Characteristics**

(Unless otherwise specified,  $C_{IN} = 0.33 \mu F$ ,  $C_{OUT} = 10 \mu F$ ,  $T_j = 25^\circ C$ )

Characteristics	Symbol	Test Conditions	Min	Typ.	Max	Unit
Output voltage	$V_{OUT}$	$V_{IN} = 5.0 V$ , $I_{OUT} = 0.5 A$	2.91	3.0	3.09	V
		$4.0 V \leq V_{IN} \leq 12 V$ , $5 mA \leq I_{OUT} \leq 1 A$ , $0^\circ C \leq T_j \leq 125^\circ C$	2.865	3.0	3.135	
Line regulation	Reg·line	$4.0 V \leq V_{IN} \leq 12 V$ , $I_{OUT} = 0.5 A$	—	5	20	mV
Load regulation	Reg·load	$V_{IN} = 5.0 V$ , $5 mA \leq I_{OUT} \leq 1 A$	—	5	20	mV
Quiescent current	$I_B$	$4.0 V \leq V_{IN} \leq 12 V$ , $I_{OUT} = 0 A$	—	0.8	1.8	mA
		$4.0 V \leq V_{IN} \leq 12 V$ , $I_{OUT} = 1 A$	—	10	20	
Starting quiescent current	$I_{Bstart}$	$V_{IN} = 2.1 V$ , $I_{OUT} = 0 A$	—	1.1	5	mA
		$V_{IN} = 2.8 V$ , $I_{OUT} = 1 A$	—	13	30	
Output noise voltage	$V_{NO}$	$V_{IN} = 5.0 V$ , $I_{OUT} = 50 mA$ $10 Hz \leq f \leq 100 kHz$	—	110	—	$\mu V_{rms}$
Ripple rejection	R.R.	$4.0 V \leq V_{IN} \leq 12 V$ , $I_{OUT} = 50 mA$ $f = 120 Hz$	50	66	—	dB
Dropout voltage	$V_D$	$I_{OUT} = 0.5 A$	—	0.3	0.5	V
		$I_{OUT} = 1 A$	—	0.4	—	
Average temperature coefficient of output voltage	$T_{CVO}$	$V_{IN} = 5.0 V$ , $I_{OUT} = 5 mA$ , $0^\circ C \leq T_j \leq 125^\circ C$	—	0.28	—	$mV/^\circ C$

**TA48033F/S**

**Electrical Characteristics**

(Unless otherwise specified,  $C_{IN} = 0.33 \mu F$ ,  $C_{OUT} = 10 \mu F$ ,  $T_j = 25^\circ C$ )

Characteristics	Symbol	Test Conditions	Min	Typ.	Max	Unit
Output voltage	$V_{OUT}$	$V_{IN} = 5.3 V$ , $I_{OUT} = 0.5 A$	3.2	3.3	3.4	V
		$4.3 V \leq V_{IN} \leq 12 V$ , $5 mA \leq I_{OUT} \leq 1 A$ , $0^\circ C \leq T_j \leq 125^\circ C$	3.152	3.3	3.448	
Line regulation	Reg·line	$4.3 V \leq V_{IN} \leq 12 V$ , $I_{OUT} = 0.5 A$	—	5	20	mV
Load regulation	Reg·load	$V_{IN} = 5.3 V$ , $5 mA \leq I_{OUT} \leq 1 A$	—	5	20	mV
Quiescent current	$I_B$	$4.3 V \leq V_{IN} \leq 12 V$ , $I_{OUT} = 0 A$	—	0.8	1.8	mA
		$4.3 V \leq V_{IN} \leq 12 V$ , $I_{OUT} = 1 A$	—	10	20	
Starting quiescent current	$I_{Bstart}$	$V_{IN} = 2.1 V$ , $I_{OUT} = 0 A$	—	1.1	5	mA
		$V_{IN} = 2.8 V$ , $I_{OUT} = 1 A$	—	13	30	
Output noise voltage	$V_{NO}$	$V_{IN} = 5.3 V$ , $I_{OUT} = 50 mA$ $10 Hz \leq f \leq 100 kHz$	—	115	—	$\mu V_{rms}$
Ripple rejection	R.R.	$4.3 V \leq V_{IN} \leq 12 V$ , $I_{OUT} = 50 mA$ $f = 120 Hz$	50	66	—	dB
Dropout voltage	$V_D$	$I_{OUT} = 0.5 A$	—	0.3	0.5	V
		$I_{OUT} = 1 A$	—	0.4	—	
Average temperature coefficient of output voltage	$T_{CVO}$	$V_{IN} = 5.3 V$ , $I_{OUT} = 5 mA$ , $0^\circ C \leq T_j \leq 125^\circ C$	—	0.3	—	$mV/^\circ C$

## TA4805F/S

### Electrical Characteristics

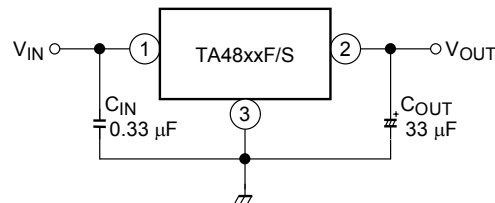
(Unless otherwise specified,  $C_{IN} = 0.33 \mu\text{F}$ ,  $C_{OUT} = 10 \mu\text{F}$ ,  $T_j = 25^\circ\text{C}$ )

Characteristics	Symbol	Test Conditions	Min	Typ.	Max	Unit
Output voltage	$V_{OUT}$	$V_{IN} = 7 \text{ V}$ , $I_{OUT} = 0.5 \text{ A}$	4.85	5.0	5.15	V
		$6.0 \text{ V} \leq V_{IN} \leq 12 \text{ V}$ , $5 \text{ mA} \leq I_{OUT} \leq 1 \text{ A}$ , $0^\circ\text{C} \leq T_j \leq 125^\circ\text{C}$	4.775	5.0	5.225	
Line regulation	Reg·line	$6.0 \text{ V} \leq V_{IN} \leq 12 \text{ V}$ , $I_{OUT} = 0.5 \text{ A}$	—	5	20	mV
Load regulation	Reg·load	$V_{IN} = 7.0 \text{ V}$ , $5 \text{ mA} \leq I_{OUT} \leq 1 \text{ A}$	—	5	20	mV
Quiescent current	$I_B$	$6.0 \text{ V} \leq V_{IN} \leq 12 \text{ V}$ , $I_{OUT} = 0 \text{ A}$	—	0.8	1.8	mA
		$6.0 \text{ V} \leq V_{IN} \leq 12 \text{ V}$ , $I_{OUT} = 1 \text{ A}$	—	10	20	
Starting quiescent current	$I_{Bstart}$	$V_{IN} = 2.1 \text{ V}$ , $I_{OUT} = 0 \text{ A}$	—	1.3	5	mA
		$V_{IN} = 3.0 \text{ V}$ , $I_{OUT} = 1 \text{ A}$	—	14	30	
Output noise voltage	$V_{NO}$	$V_{IN} = 7.0 \text{ V}$ , $I_{OUT} = 50 \text{ mA}$ $10 \text{ Hz} \leq f \leq 100 \text{ kHz}$	—	150	—	$\mu\text{Vrms}$
Ripple rejection	R.R.	$6.0 \text{ V} \leq V_{IN} \leq 12 \text{ V}$ , $I_{OUT} = 50 \text{ mA}$ $f = 120 \text{ Hz}$	50	64	—	dB
Dropout voltage	$V_D$	$I_{OUT} = 0.5 \text{ A}$	—	0.3	0.5	V
		$I_{OUT} = 1 \text{ A}$	—	0.4	—	
Average temperature coefficient of output voltage	$T_{CVO}$	$V_{IN} = 7.0 \text{ V}$ , $I_{OUT} = 5 \text{ mA}$ , $0^\circ\text{C} \leq T_j \leq 125^\circ\text{C}$	—	0.45	—	$\text{mV}/^\circ\text{C}$

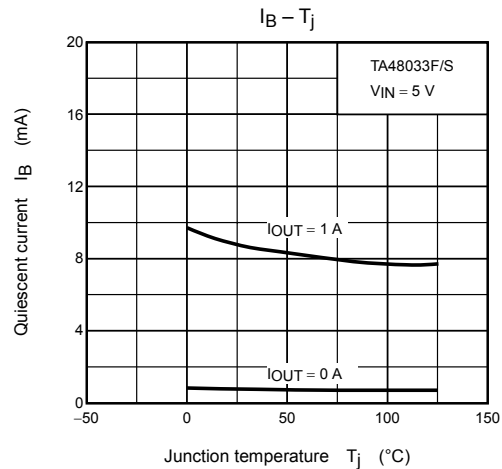
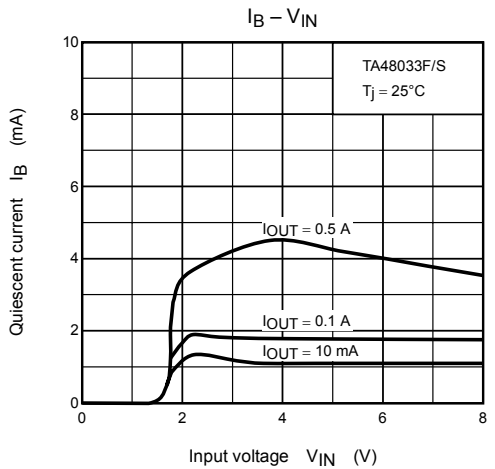
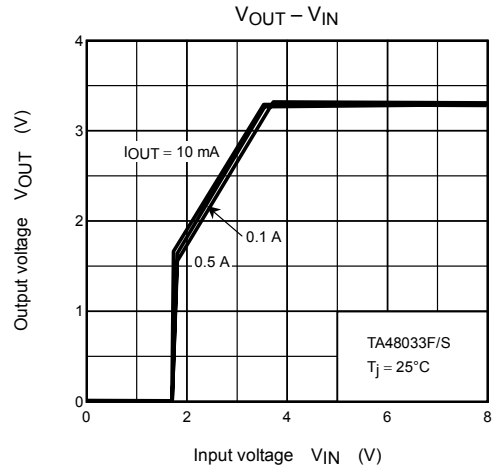
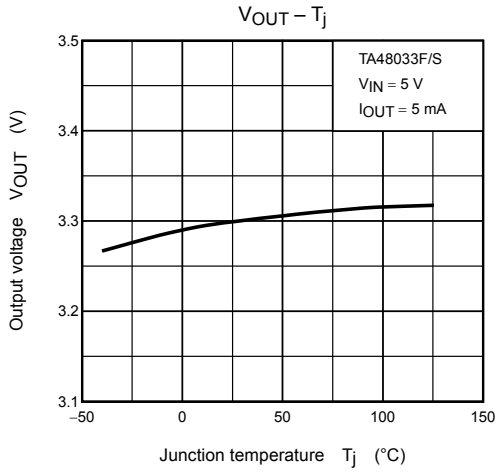
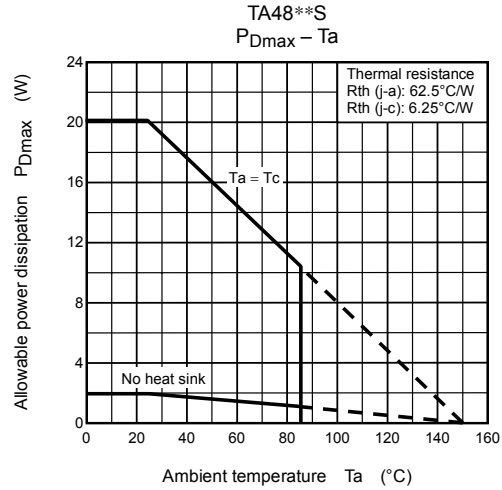
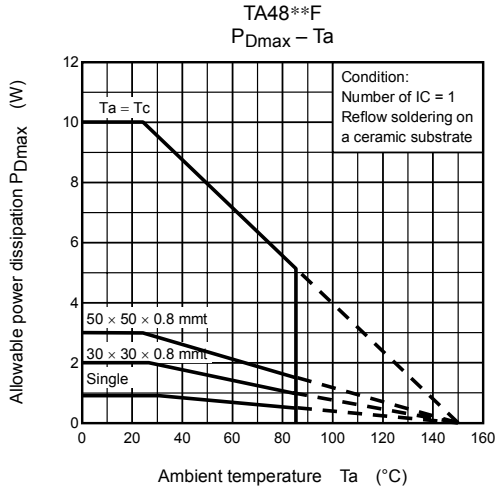
### Electrical Characteristics for All Products

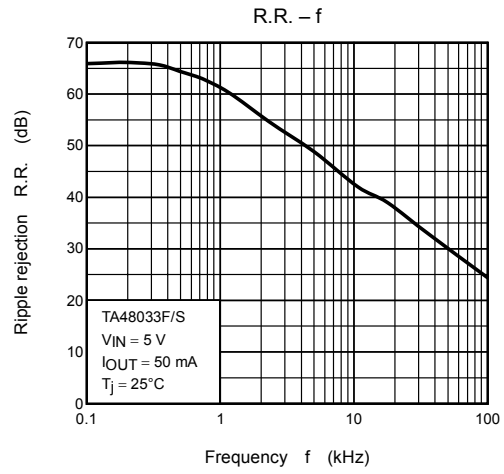
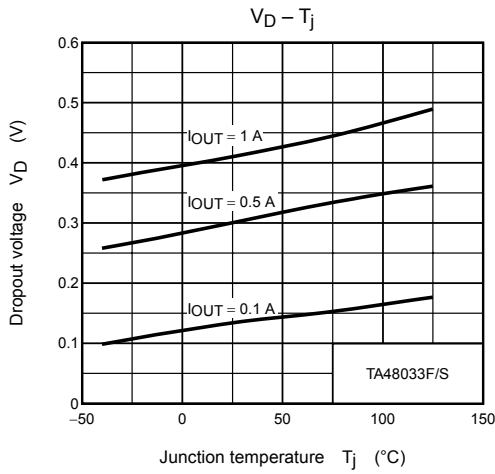
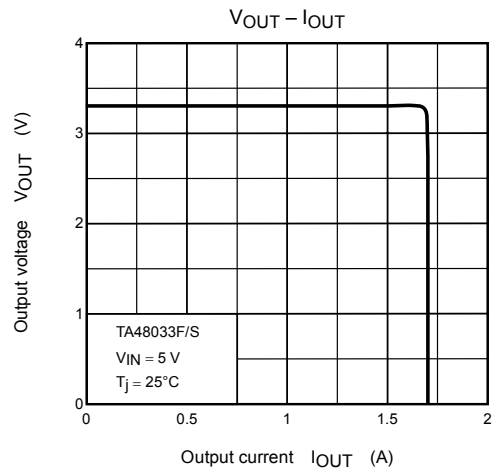
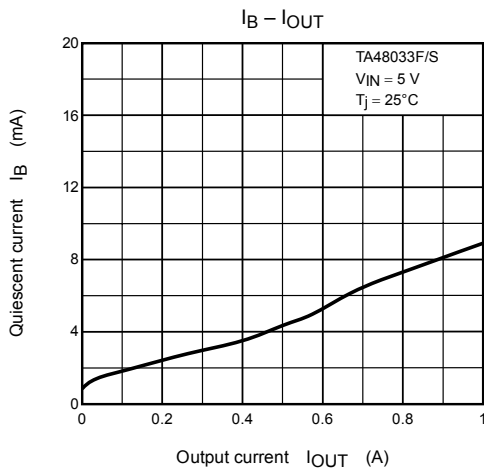
Generally, the characteristics of power supply ICs change according to temperature fluctuations. The specification  $T_j = 25^\circ\text{C}$  is based on a state where temperature increase has no effect (assuming no fluctuation in the characteristics) as ascertained by pulse tests.

### Standard Application Circuit



Be sure to connect a capacitor near the input terminal and output terminal between both terminals and GND. The capacitances should be determined experimentally. In particular, adequate investigation should be made so that there is no problem even in high or low temperature.



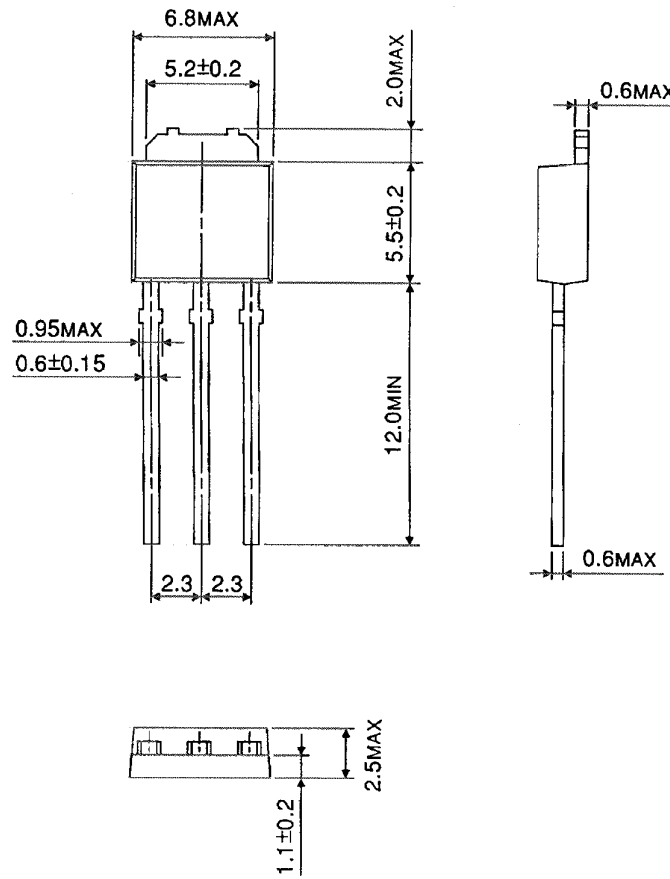




## Package Dimensions

HSIP3-P-2.30B

Unit : mm

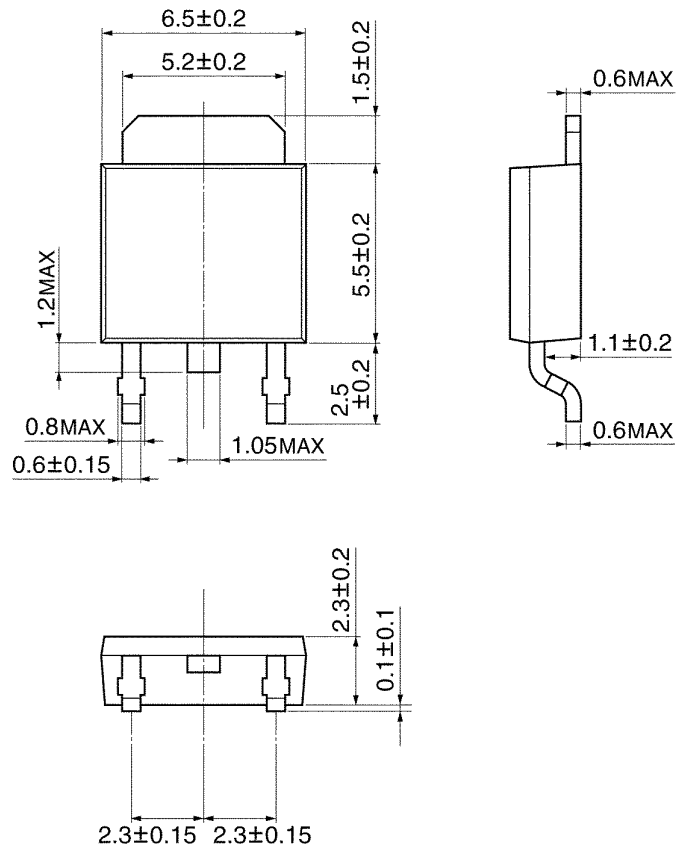


Weight: 0.36 g (typ.)

## Package Dimensions

HSOP3-P-2.30D

Unit: mm

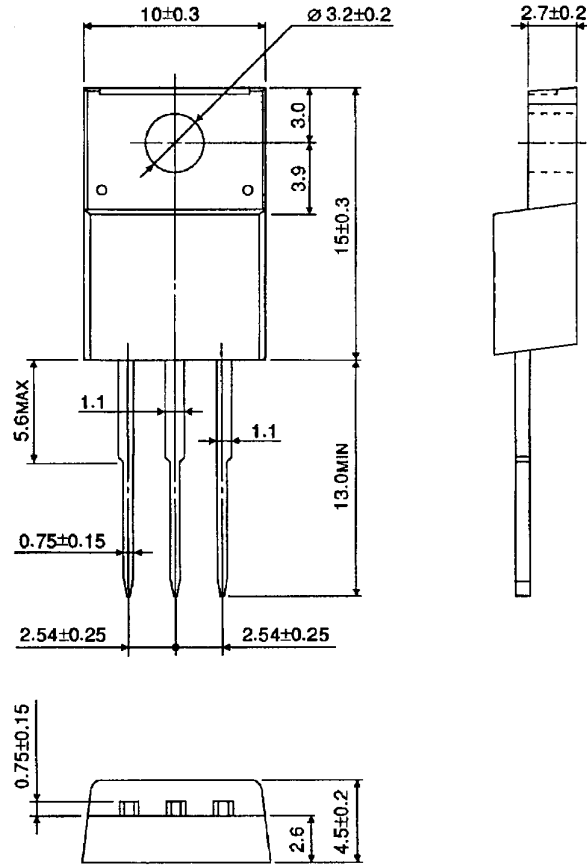


Weight: 0.36 g (typ.)

## Package Dimensions

HSIP3-P-2.54A

Unit: mm



Weight: 1.7 g (typ.)

**RESTRICTIONS ON PRODUCT USE**

030619EBA

- The information contained herein is subject to change without notice.
- The information contained herein is presented only as a guide for the applications of our products. No responsibility is assumed by TOSHIBA for any infringements of patents or other rights of the third parties which may result from its use. No license is granted by implication or otherwise under any patent or patent rights of TOSHIBA or others.
- TOSHIBA is continually working to improve the quality and reliability of its products. Nevertheless, semiconductor devices in general can malfunction or fail due to their inherent electrical sensitivity and vulnerability to physical stress. It is the responsibility of the buyer, when utilizing TOSHIBA products, to comply with the standards of safety in making a safe design for the entire system, and to avoid situations in which a malfunction or failure of such TOSHIBA products could cause loss of human life, bodily injury or damage to property.  
In developing your designs, please ensure that TOSHIBA products are used within specified operating ranges as set forth in the most recent TOSHIBA products specifications. Also, please keep in mind the precautions and conditions set forth in the "Handling Guide for Semiconductor Devices," or "TOSHIBA Semiconductor Reliability Handbook" etc..
- The TOSHIBA products listed in this document are intended for usage in general electronics applications (computer, personal equipment, office equipment, measuring equipment, industrial robotics, domestic appliances, etc.). These TOSHIBA products are neither intended nor warranted for usage in equipment that requires extraordinarily high quality and/or reliability or a malfunction or failure of which may cause loss of human life or bodily injury ("Unintended Usage"). Unintended Usage include atomic energy control instruments, airplane or spaceship instruments, transportation instruments, traffic signal instruments, combustion control instruments, medical instruments, all types of safety devices, etc.. Unintended Usage of TOSHIBA products listed in this document shall be made at the customer's own risk.
- The products described in this document are subject to the foreign exchange and foreign trade laws.
- TOSHIBA products should not be embedded to the downstream products which are prohibited to be produced and sold, under any law and regulations.