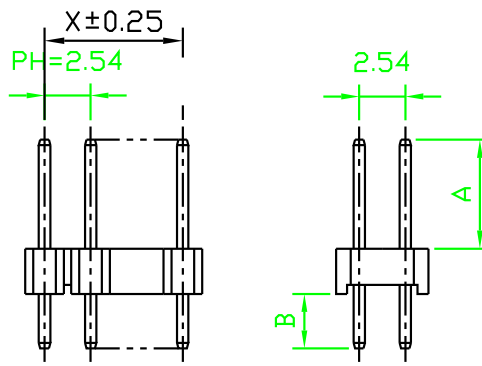
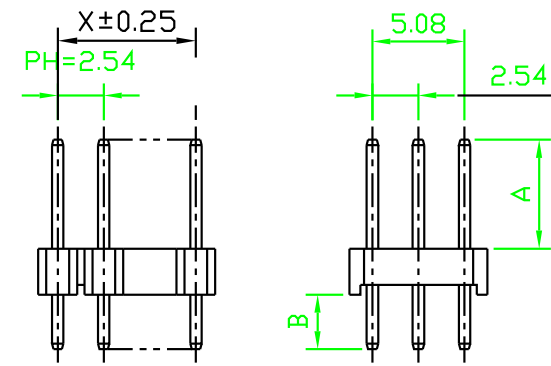


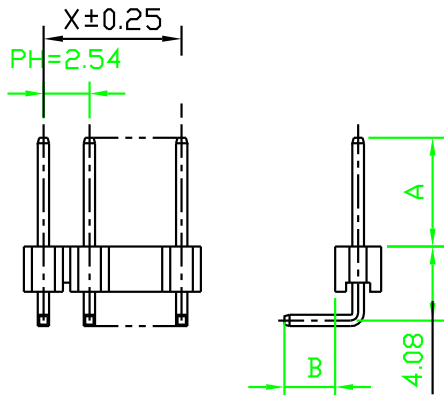
GS060-1**1*-AB



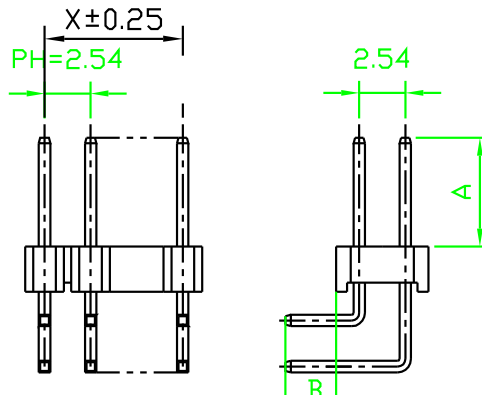
GS060-2**1*-AB



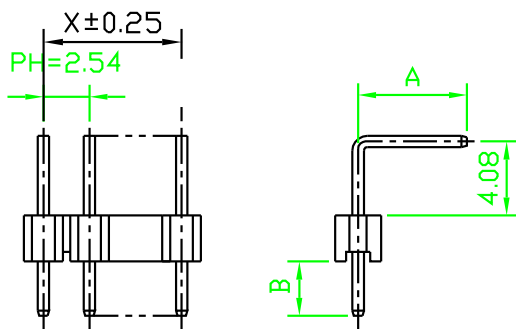
GS060-3**1*-AB



GS060-1**2*-AB



GS060-2**2*-AB



GS060-1**3*-AB

GS060 - X XX X X - A B

- 1. SINGLE ROW
- 2. DUAL ROWS
- 3. TRIBLE ROWS

NO. OF POSITION PER ROW

SEE DRAWING

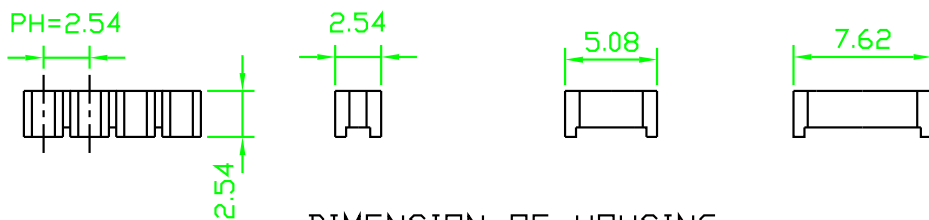
PLATING:

- 1. GOLD FLASH OVER NICKEL.
- 2. 10 μ " GOLD OVER NICKEL.
- 3. 15 μ " GOLD OVER NICKEL.
- 4. 200 μ " TIN MIN OVER COPPER.

DIMENSION B

DIMENSION A

DIM A		DIM B	
1	6.0	1	3.0
2	7.0	2	3.5
3	3.0	3	5.0
4	7.7	4	4.0
5	10.0		



DIMENSION OF HOUSING

NOTE:

- 1. DIM X = 2.54 * (NO. OF POSITION PER ROW - 1)