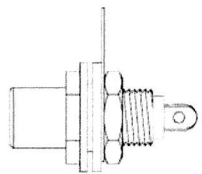
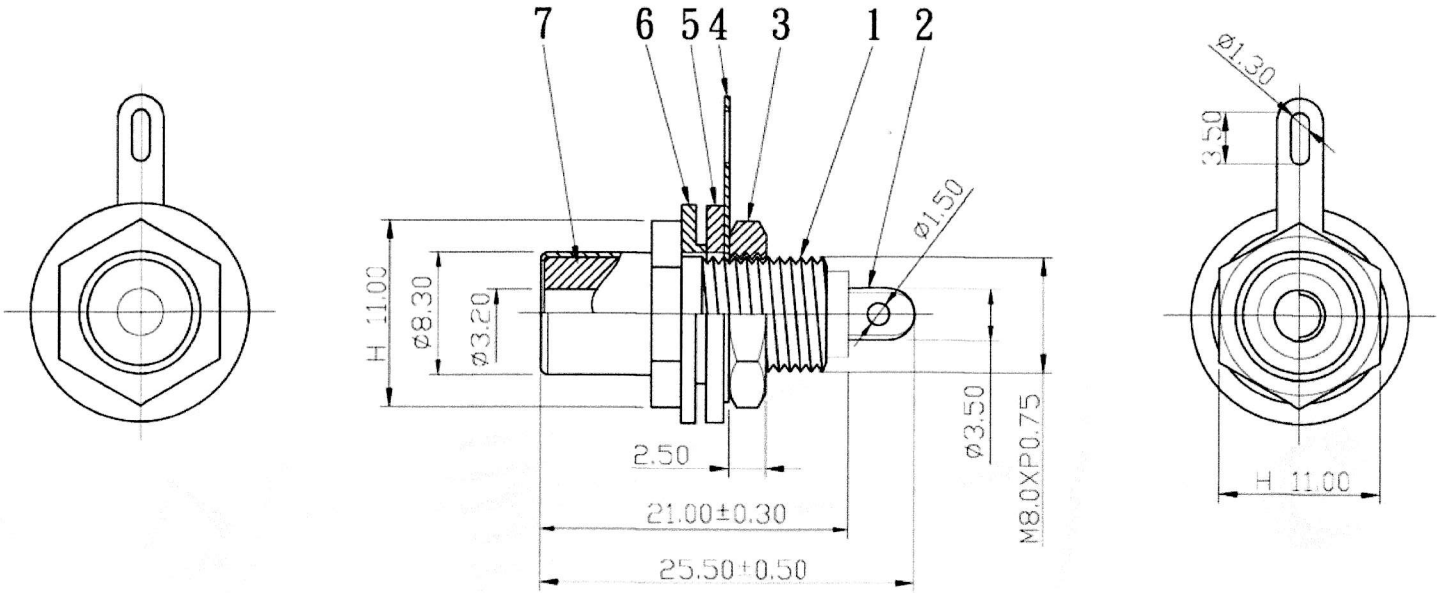


0.5-5=±0.2
 5-30=±0.4
 30-120=±0.6
 120-315=±1.0
 315-1000=±1.6
 1000-2000=±2.4



S1:1

4	SOLDER TAB	BRONZE	GOLD	1					
3	NUT	BRASS	GOLD	1	7	INSULATOR	POM	WHITE	1
2	CONTACT	BRASS	GOLD	1	6	WASHER	PLASTIC	R/B/W	1
1	BODY	BRASS	GOLD	1	5	WASHER	PLASTIC	R/B/W	1
NO	DESCRIPTION	MATERIAL	FINISH	Q'TY	NO	DESCRIPTION	MATERIAL	FINISH	Q'TY

			DATE	MAR.23.2015	APPROVED			UNIT	mm	RESIVION.	
			DRWAN	JAO	DESIGNED	2015.06.22	SCALE		二		
ITEM NO	JRJ2003	DESCRIPTION	RCA JACK GOLD PLATED				TOLERANCE		三		