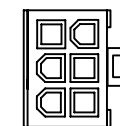


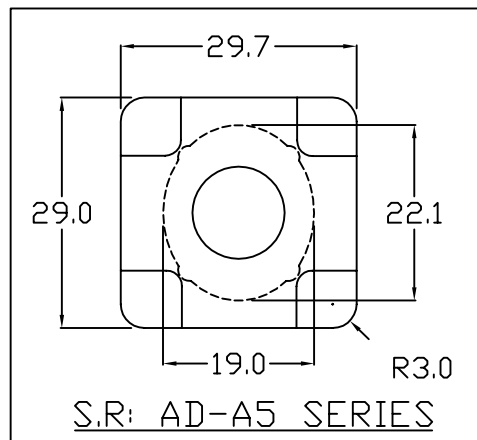
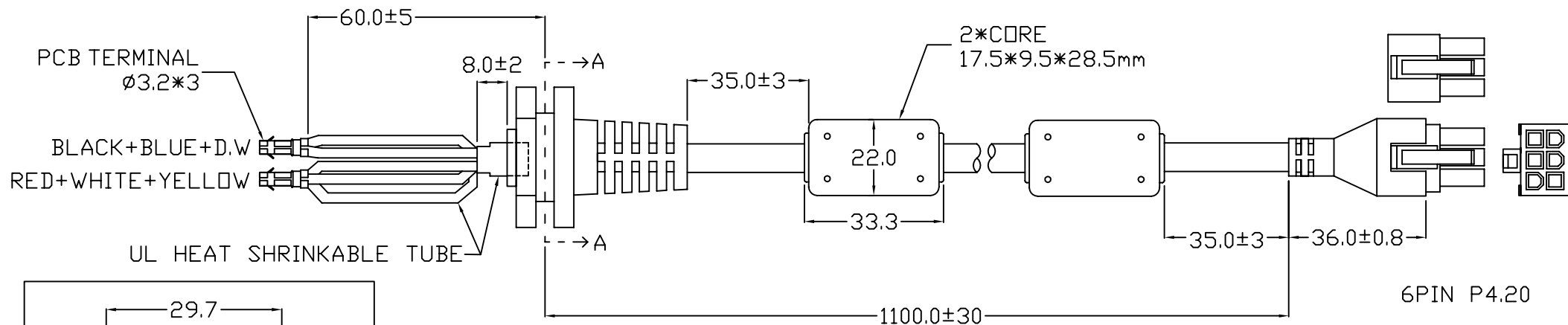
[2464#16AWG 5C+1(16AWG)]  
SECTIONAL DRAWING

- 1.RED (+V)
- 2.WHITE (+V)
- 3.YELLOW (+V)

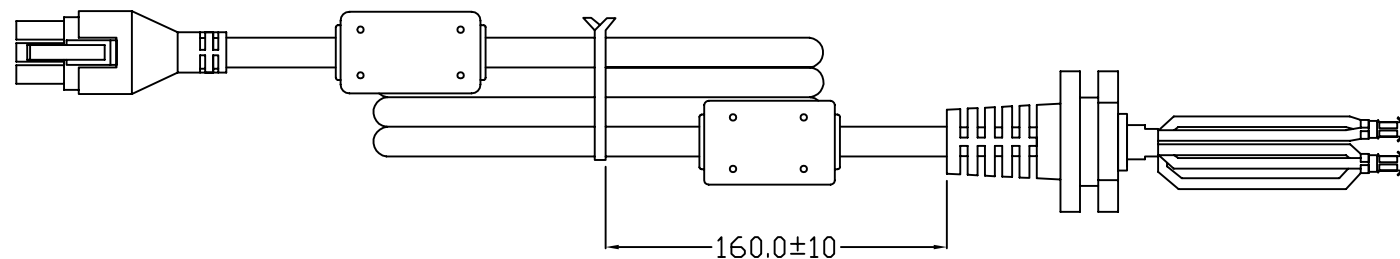


- 4.BLUE (GND)
- 5.BLACK (GND)
- 6.D.W (GND)

FRONT VIEW  
6P DIN



SECTION A-A



[包裝方式]

	TITLE				DC CORD 1100mm 5C+1 (P4.20 6PIN)		DESCRIPTION		COMPONENT LIST		REVISIONS	
	MODEL				AD-A5 V4 250W 24V		MATERIAL		1.CABLE : COLOR BLACK UL/CSA 2464 80/90°C 300V 16AWG X 5C+DRAIN WIRE(16AWG)+ALUMINUM SHIELD		Rev.A 新版發行 (R1191) 2011/02/21	
	DWG NO.		EG-MAP-02-904B		UNIT		THICKNESS		2.PVC WIRE : BLUE/BLACK/WHITE/YELLOW/RED		Rev.B 修正尺寸位置標示錯誤 2011/07/22	
	PART NO.		P54400D0788B		SCALE		FINISH		3.HOUSING : 6P=P4.2 UL/CSA/TUV 94V-2 NATURAL [7A/250V/85°C]			
	PREPARE		DRAWING		CHECKED		APPROVED		4.末端打魚鉤端子			
			呂芳凱						5.相對應測試接頭 : WST P4.20 6PIN WAFTER M-142002 (P533142006F1001)			
				REV.		B		TOLERANCE				
				DATE		2011/07/22						