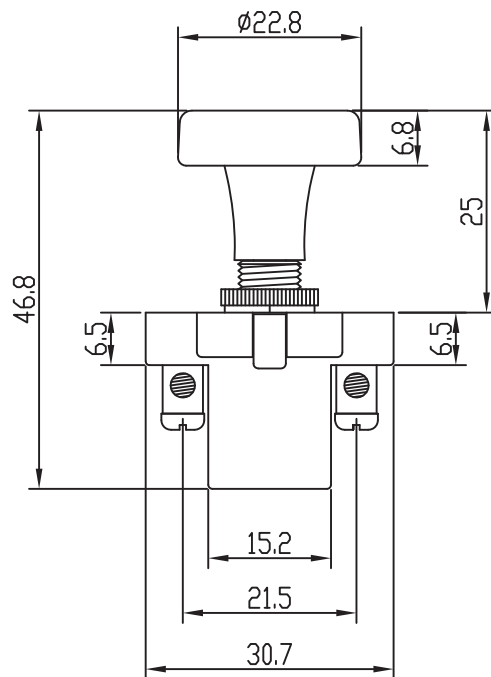
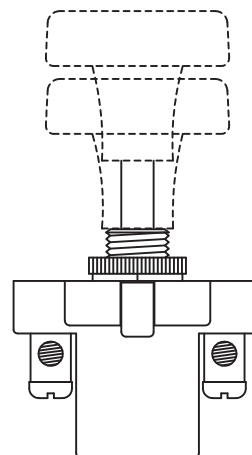
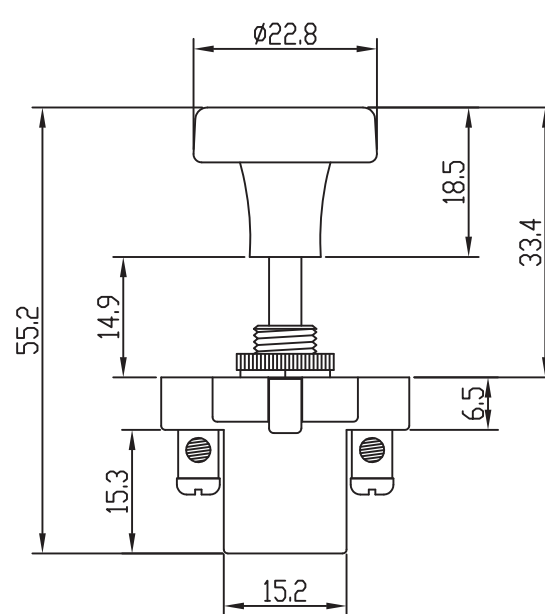


PUSH-OFF



PULL-ON



TOLERANCES	
0.5MM-5MM	=±0.2MM
5MM-30MM	=±0.4MM
30MM-120MM	=±0.6MM
120MM-315MM	=±1.0MM
315MM-1000MM	=±1.6MM
1000MM-2000MM	=±2.4MM

General Tolerance		比例尺 Scale	1:1	WTN-16-2002 PUSH-OFF PULL-ON 8.5MM SHORT	REF.NO.
版本 Version	1	核準日期 Date	APR 02 2013		
		單位 UNIT	m/m		