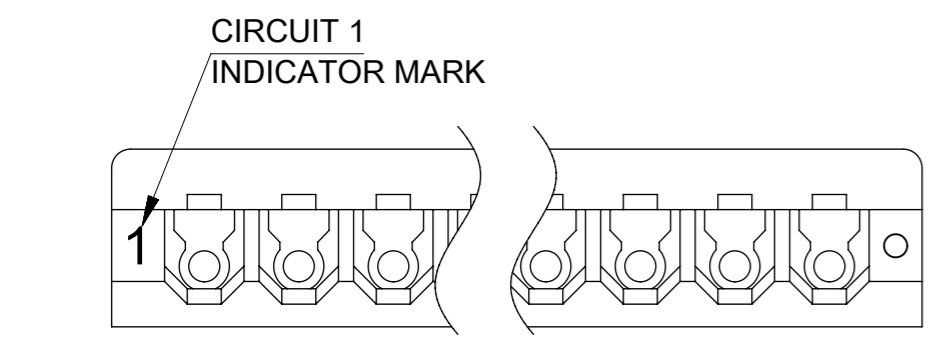
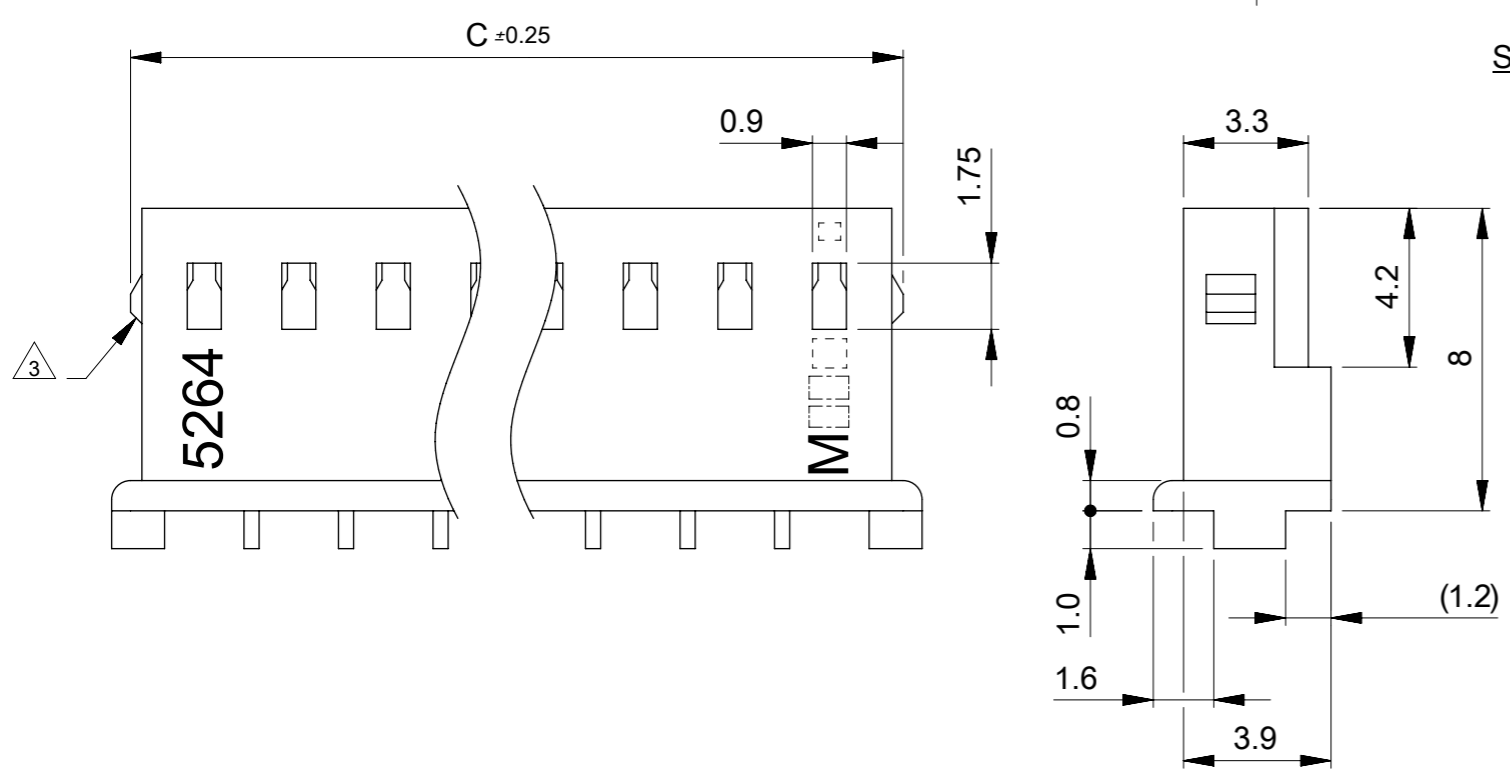


注記:
NOTES:

- △1 材質: TABLE 1参照
MATERIAL: SEE TABLE 1
- △2 製品仕様書、適用嵌合相手、適用端子はSHEET 2をご参照ください。
PLEASE REFER TO SHEET 2 FOR PRODUCT SPECIFICATION, MATE WITH AND APPLICABLE TERMINAL.
- △3 9極以上: ロックなし
MORE THAN 9 CIRCUIT: NO LOCKS
- △4 オーダー番号: ORDER NO.
50375**3

極数
CIRCUIT SIZE



—	35	38.3	ポリ袋 POLY BAG	5264N	526415	50375153	15
—	32.5	35.8			526414	50375143	14
—	30	33.3			526413	50375133	13
—	27.5	30.8			526412	50375123	12
—	25	28.3			526411	50375113	11
—	22.5	25.8			526410	50375103	10
—	20	23.3			526409	50375093	9
21.4	17.5	20.8			526408	50375083	8
18.9	15	18.3			526407	50375073	7
16.4	12.5	15.8			526406	50375063	6
13.9	10	13.3			526405	50375053	5
11.4	7.5	10.8			526404	50375043	4
8.9	5	8.3			526403	50375033	3
6.4	2.5	5.8			526402	50375023	2
C	B	A			梱包形態 PACKAGING	シリーズ番号 SERIES NO.	ENG. NO.

△1 TABLE 1

部品 PART	材質 MATERIAL
ハウジング HOUSING	ポリアミド(PA), UL94V-0, 色: ナチュラル(アイボリー) POLYAMIDE(PA): UL94V-0, COLOR: NATURAL (IVORY)

THIS DRAWING CONTAINS INFORMATION THAT IS PROPRIETARY TO MOLEX ELECTRONIC TECHNOLOGIES, LLC AND SHOULD NOT BE USED WITHOUT WRITTEN PERMISSION

DIMENSION UNITS: mm SCALE: NTS

GENERAL TOLERANCES (UNLESS SPECIFIED):
ANGULAR TOL ± 3.0°

4 PLACES ±
3 PLACES ±
2 PLACES ± 0.2
1 PLACE ± 0.2
0 PLACES ±

DRAFT WHERE APPLICABLE MUST REMAIN WITHIN DIMENSIONS

THIRD ANGLE PROJECTION

DRAWING: A3-SIZE

SERIES: 5264

MATERIAL NUMBER: SEE CHART

CUSTOMER: GENERAL

SHEET NUMBER: 1 OF 2

EC NO: 636780
DRWN: SUDAYGUNAGI 2019/06/21
CHK'D: SAKIYAMA 2020/05/13
APPR: KOMURAKAMI 2020/05/13

INITIAL REVISION:
DRWN: SUDAYGUNAGI 2019/06/21
APPR: KOMURAKAMI 2020/05/13

CURRENT REV DESC: MIGRATED

molex

MINI-SPOX 2.5 W/B RECEPTACLE HOUSING

PRODUCT CUSTOMER DRAWING

DOCUMENT NUMBER: 52640001-SD

DOC TYPE: PSD

DOC PART: 000

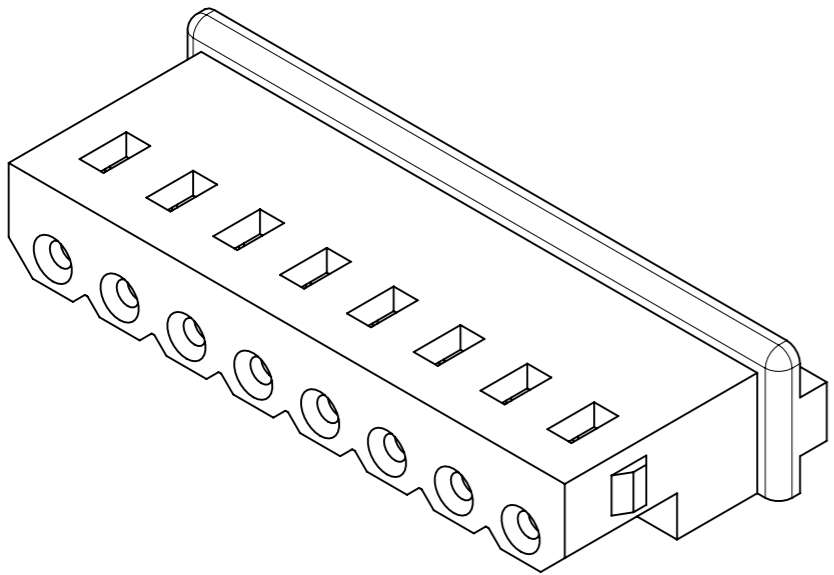
REVISION: A

△ 適用製品及び各種仕様書
 APPLICABLE PRODUCTS AND VARIOUS SPECIFICATIONS

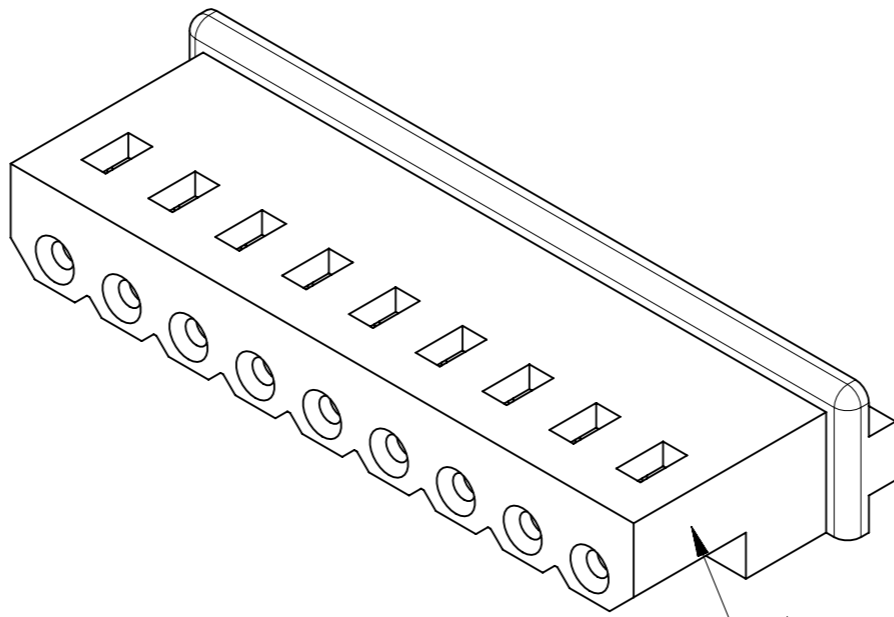
梱包仕様書 PACKAGING SPECIFICATION	ORDER NO.	SPECIFICATION NO.	
	50375**3	SPK-5264-001	
適用端子 APPLICABLE TERMINAL	SERIES NO.	PLATING TYPE	WIRE SIZE
	5263PBT, 5263PBTB	TIN	#22-#28
嵌合相手 MATE WITH	VERTICAL		RIGHT ANGLE
シリーズ番号 SERIES NO.	5267NA, 5267NAX		5268NA
製品仕様書 PRODUCT SPECIFICATION	PS-5264-001 PS 001		

製品嵌合図は各"嵌合相手"図面を参照のこと
 MATING VIEW : REFER TO "MATE WITH" PART DRAWING

製品形状
 PRODUCT SHAPE



2-8極
 2-8 CIRCUIT



9-15極
 9-15 CIRCUIT

THIS DRAWING CONTAINS INFORMATION THAT IS PROPRIETARY TO MOLEX ELECTRONIC TECHNOLOGIES, LLC AND SHOULD NOT BE USED WITHOUT WRITTEN PERMISSION		CURRENT REV DESC: MIGRATED		molex	
DIMENSION UNITS	SCALE				
mm	NTS			MINI-SPOX 2.5 W/B RECEPTACLE HOUSING	
GENERAL TOLERANCES (UNLESS SPECIFIED)					
ANGULAR TOL	± 3.0 °			PRODUCT CUSTOMER DRAWING	
4 PLACES	±				
3 PLACES	±	EC NO: 636780	2019/06/21	DOCUMENT NUMBER	
2 PLACES	± 0.2	DRWN: SUDAYGUNAGI	2020/05/13		
1 PLACE	± 0.2	CHK'D: SAKIYAMA	2020/05/13	52640001-SD	
0 PLACES	±	APPR: KOMURAKAMI	2020/05/13		
DRAFT WHERE APPLICABLE MUST REMAIN WITHIN DIMENSIONS		INITIAL REVISION:		DOC TYPE	DOC PART
THIRD ANGLE PROJECTION		DRWN: SUDAYGUNAGI	2019/06/21	PSD	000
DRAWING		APPR: KOMURAKAMI	2020/05/13	A	REVISION
A3-SIZE		SERIES		SHEET NUMBER	
5264		MATERIAL NUMBER			
SEE SHEET 1		CUSTOMER		2 OF 2	
GENERAL					