

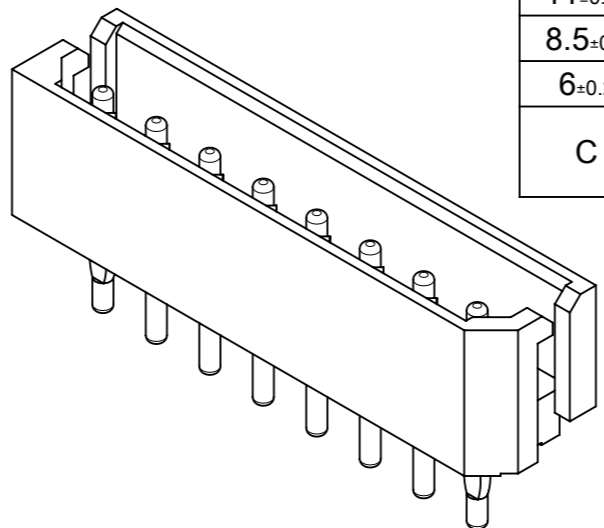
- 注記 :  
NOTES:
- ① 材質 : TABLE 1参照  
MATERIAL : SEE TABLE 1
  - ② 両端のPINのみコインを適用。  
APPLY COIN : PIN, BOTH ENDS
  - ③ 梱包仕様書、製品仕様書、嵌合相手はSHEET 2をご参照ください。  
PLEASE REFER TO SHEET 2 FOR PACKAGING SPECIFICATION  
PRODUCT SPECIFICATION AND MATE WITH.
  - ④ 本製品はコインあり品である。  
コインなし品は52670001-SD/PSD/000をご参照ください。  
THIS PRODUCT IS WITH COIN.  
PLEASE REFER TO 52670001-SD/PSD/000 FOR WITHOUT COIN PRODUCT.
  - ⑤ 発注番号 : ORDER NO.  
999909\*\* (\*\*:86~99)

38.5±0.3	35	39.9±0.3	ポリ袋 POLY BAG	5267NAX	526715AX	99990999	15
36±0.3	32.5	37.4±0.3			526714AX	99990998	14
33.5±0.3	30	34.9±0.3			526713AX	99990997	13
31±0.3	27.5	32.4±0.3			526712AX	99990996	12
28.5±0.25	25	29.9±0.25			526711AX	99990995	11
26±0.25	22.5	27.4±0.25			526710AX	99990994	10
23.5±0.25	20	24.9±0.25			526709AX	99990993	9
21±0.25	17.5	22.4±0.25			526708AX	99990992	8
18.5±0.25	15	19.9±0.25			526707AX	99990991	7
16±0.25	12.5	17.4±0.25			526706AX	99990990	6
13.5±0.25	10	14.9±0.25	526705AX	99990989	5		
11±0.25	7.5	12.4±0.25	526704AX	99990988	4		
8.5±0.2	5	9.9±0.2	526703AX	99990987	3		
6±0.2	2.5	7.4±0.2	526702AX	99990986	2		
C	B	A	梱包形態 PACKAGING	シリーズ番号 SERIES NO.	ENG. NO.	⑤ 発注番号 ORDER NO.	極数 CIRCUIT SIZE

① TABLE 1

番号 NO.	部品 PART	材質 MATERIAL	
①	ハウジング HOUSING	ポリアミド(PA), UL94V-0, 色: ナチュラル(白) POLYAMIDE(PA), UL94V-0, COLOR: NATURAL (WHITE)	
②	ピン PIN	母材 BASE METAL	黄銅(Ø0.7) BRASS (Ø0.7)
		めっき PLATING	錫めっき : 3 MICROMETER MIN. TIN
		下地めっき UNDERPLATING	銅めっき : 1 MICROMETER MIN. COPPER (UNDERPLATING)

DOCUMENT STATUS	P1	RELEASE DATE	2023/03/09	09:00:02
-----------------	----	--------------	------------	----------



THIS DRAWING CONTAINS INFORMATION THAT IS PROPRIETARY TO MOLEX ELECTRONIC TECHNOLOGIES, LLC AND SHOULD NOT BE USED WITHOUT WRITTEN PERMISSION

DIMENSION UNITS	SCALE	CURRENT REV DESC:		
mm	NTS			
GENERAL TOLERANCES (UNLESS SPECIFIED)				
ANGULAR TOL	±	3.0°		
4 PLACES	±	EC NO: 727270		
3 PLACES	±	DRWN: SOKUMURA01 2022/11/30		
2 PLACES	±	CHK'D: SAKIYAMA 2023/03/09		
1 PLACE	±	APPR: AIDA 2023/03/09		
0 PLACES	±	INITIAL REVISION:		
DRAFT WHERE APPLICABLE MUST REMAIN WITHIN DIMENSIONS		THIRD ANGLE PROJECTION	DRAWING	SERIES
			A3-SIZE	5267
		MATERIAL NUMBER	CUSTOMER	SHEET NUMBER
		SEE CHART	GENERAL	1 OF 2

**molex**

MINI-SPOX 2.5 W/B  
VERTICAL PLUG ASSEMBLY WITH COIN  
COPPER UNDERPLATING

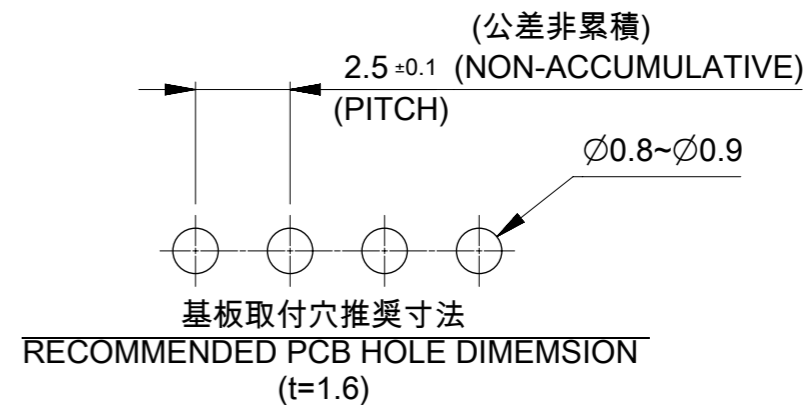
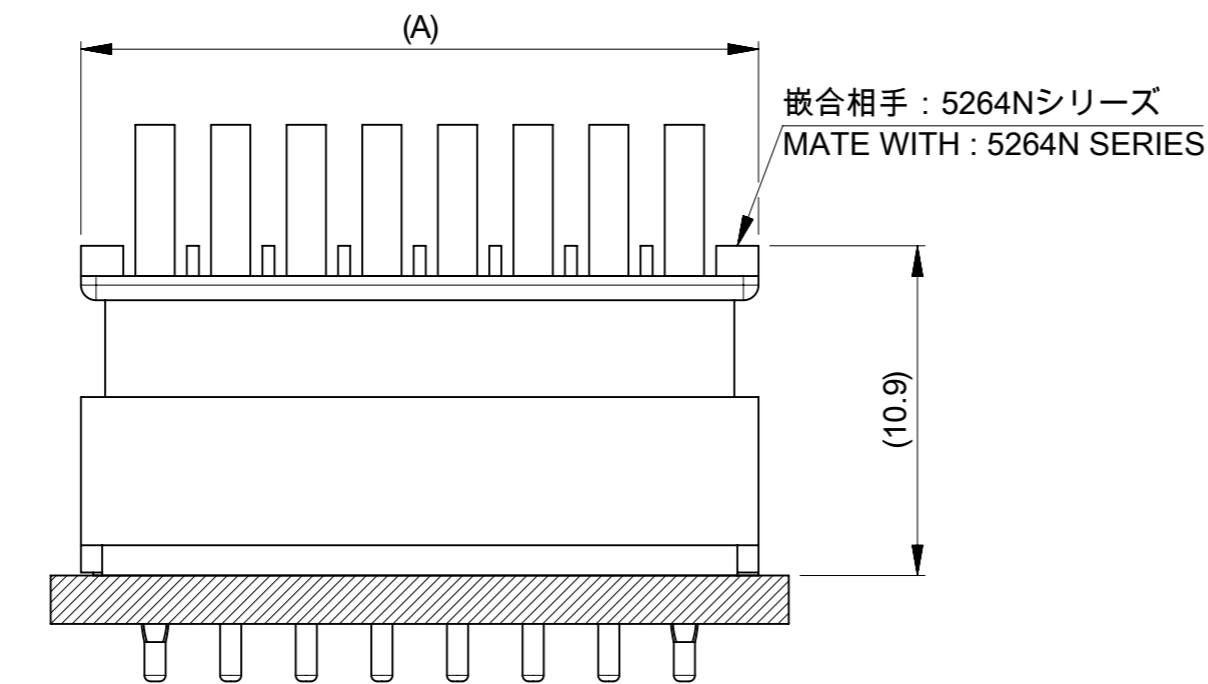
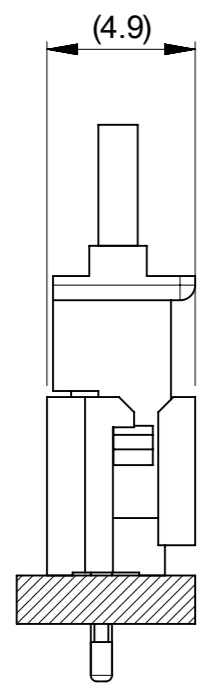
PRODUCT CUSTOMER DRAWING

DOCUMENT NUMBER: 52670002-SD  
DOC TYPE: PSD  
DOC PART: 000  
REVISION: B

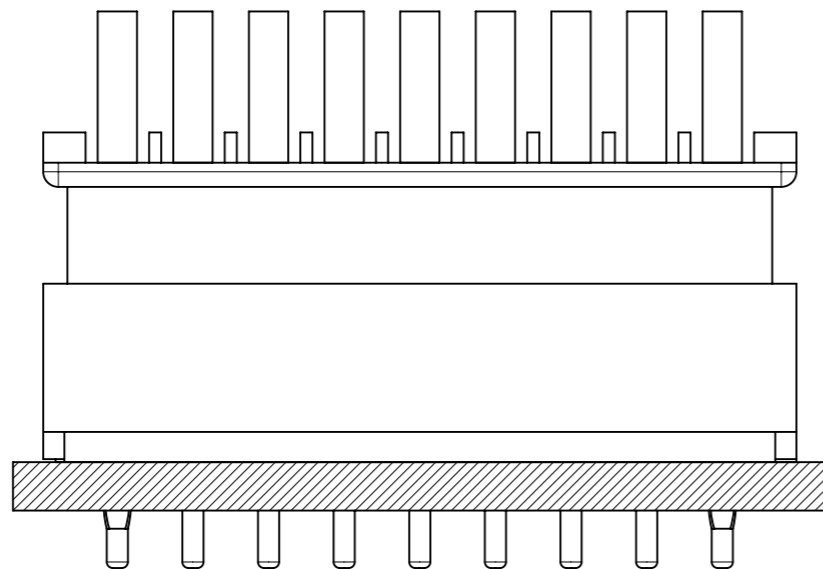
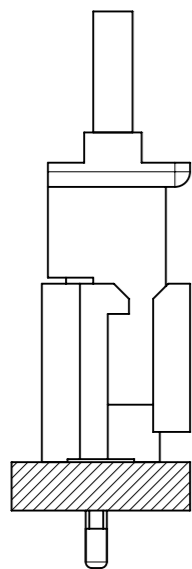
△ 適用製品及び各種仕様書  
 APPLICABLE PRODUCTS AND VARIOUS SPECIFICATIONS

梱包仕様書 PACKAGING SPECIFICATION	ORDER NO. 999909**	SPECIFICATION NO. SPK-5267-001 PS 001
嵌合相手 MATE WITH	RECEPTACLE HOUSING	
シリーズ番号 SERIES NO.	5264N	
製品仕様書 PRODUCT SPECIFICATION	PS-5264-001 PS 001	

2-8極  
2-8 CIRCUIT



9-15極  
9-15 CIRCUIT



嵌合図  
MATING CONNECTORS

THIS DRAWING CONTAINS INFORMATION THAT IS PROPRIETARY TO MOLEX ELECTRONIC TECHNOLOGIES, LLC AND SHOULD NOT BE USED WITHOUT WRITTEN PERMISSION									
DIMENSION UNITS mm	SCALE NTS	CURRENT REV DESC:							
GENERAL TOLERANCES (UNLESS SPECIFIED)		EC NO: 727270							
ANGULAR TOL	± 3.0 °	DRWN: SOKUMURA01 2022/11/30			MINI-SPOX 2.5 W/B VERTICAL PLUG ASSEMBLY WITH COIN COPPER UNDERPLATING				
4 PLACES	±	CHK'D: SAKIYAMA 2023/03/09			PRODUCT CUSTOMER DRAWING				
3 PLACES	±	APPR: AIDA 2023/03/09			DOCUMENT NUMBER				
2 PLACES	± 0.2	INITIAL REVISION:			52670002-SD				
1 PLACE	± 0.2	DRWN: SUDAYGUNAGI 2019/06/20			DOC TYPE		DOC PART		REVISION
0 PLACES	±	APPR: KOMURAKAMI 2020/05/13			PSD		000		B
DRAFT WHERE APPLICABLE MUST REMAIN WITHIN DIMENSIONS		THIRD ANGLE PROJECTION	DRAWING	SERIES	MATERIAL NUMBER	CUSTOMER		SHEET NUMBER	
			A3-SIZE	5267	SEE SHEET 1	GENERAL		2 OF 2	