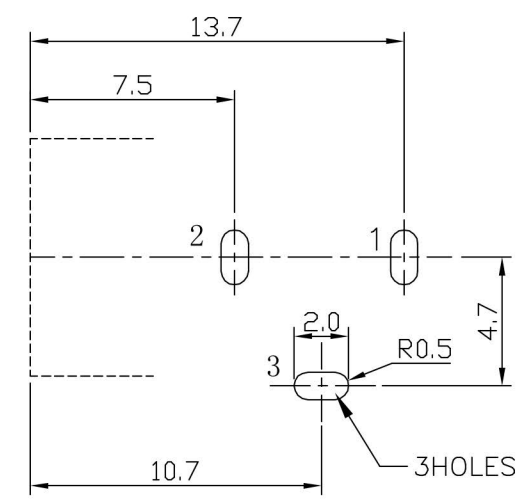
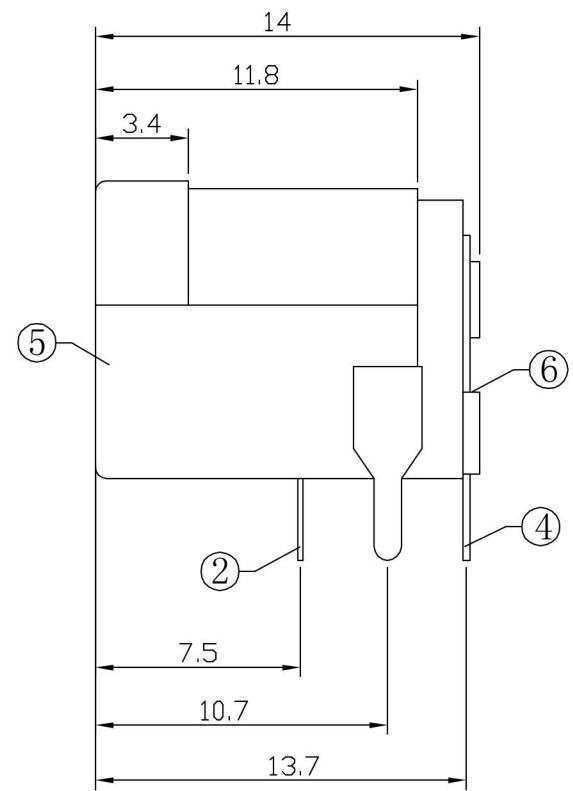
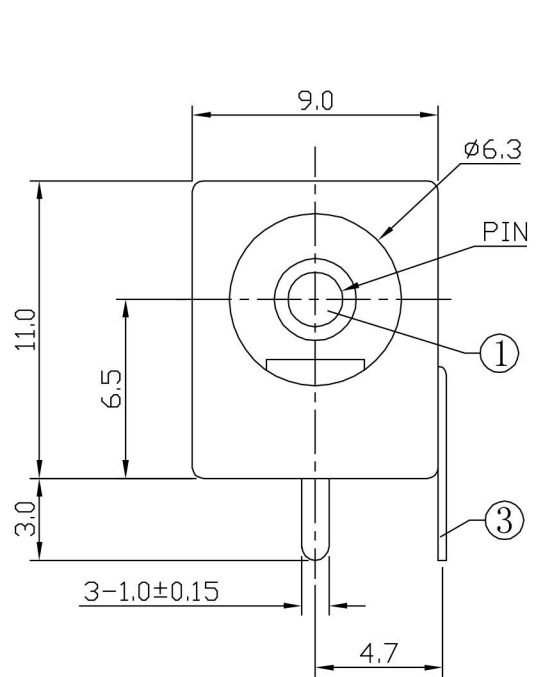
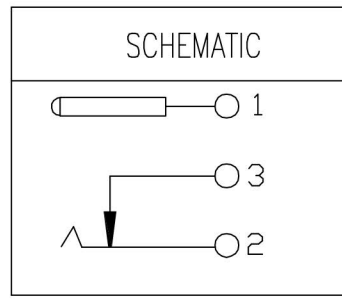


* REVISIONS				
LTR	DESCRIPTION	DATE	REVISED	APPROVED



T:1.6 Dimensions of PC board holes
Tolerance : ±0.05(Printed-top view)



PIN	DCD-020-37A	φ2.0
	DCD-020-37B	φ2.5

LEAD FREE

6	COVER	1	PBT 4815	UL-94V0(BLACK)
5	HOUSING	1	PBT 4815	UL-94V0(BLACK)
4	FLAT PIECE	1	C2680	Ag PLATED
3	CURVE PIECE	1	C2680	Ag PLATED
2	SPRING	1	C5191	Ag PLATED
1	PIN	1	H59(COPPER ALLOY)	CU/Sn PLATED

LTR	PART NAME	QTY	MATERIAL	REMARK
DWN	LILY	DATE	2020.11.20	3RD ANGLE PROJECTION
CHKD	ANDY	DATE	2020.11.20	
APVD	JON	DATE	2020.11.20	

NAME	DC POWER JACK
CAT. NO.	DCD-020-37
DWN.NO.	A-020-37

UNLESS OTHERWISE SPECIFIED, TOLERANCE ON DECIMAL: ±0.3